

Outdoor LP Gas Mosquito Exterminator

Model No. SV3500C

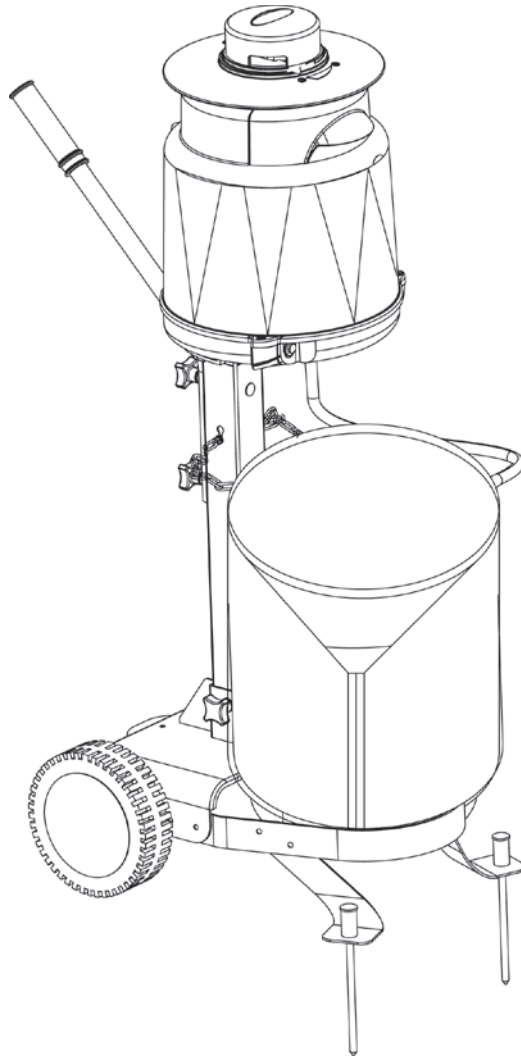


Table of Contents

Important Safeguards	Page 2
Exploded View & Hardware	3
Assembly Instructions	4
Installing LP Gas Tank	6
Insert LP Gas Tank	6
Secure LP Gas Tank	6
Connect LP Gas Tank	6
Disconnect LP Gas Tank	6
Important Mosquito Information	7
Important Information	7
Important Information about Octenol	7
Important Information About Ultraviolet Light	7
Mosquito Facts	7
Controlling Mosquitoes	7
Helpful Links	7
Operating Instructions	7
Checking for Leaks	7
Placement	7
FineTune®: Customizing the Lure Output	7
Lighting	7
Turning Off	7
Cleaning and Care	8
Before each use	8
Cleaning Instructions / Routine Service	8
Replacing Igniter Battery	8
End of Season Storage	8
Product Registration	8
Limited Warranty	8
Troubleshooting	8

The use and installation of this product must conform to local codes. In absence of local codes, use the *National Fuel Gas Code, ANSI Z223.1/NFPA 54, CAN/CGA-B149.1, Natural Gas and Propane Installation Code.*

Manufactured in China for:
Blue Rhino Global Sourcing, LLC
Winston-Salem, NC USA
1.800.762.1142, www.bluerhino.com

© 2007 Blue Rhino Global Sourcing, LLC. All Rights Reserved
SkeeterVac® and FineTune® are registered trademarks of Blue Rhino Global Sourcing, LLC.
WaveDrawer™ and TacTrap™ are trademarks of Blue Rhino Global Sourcing, LLC. All Rights Reserved.

SV3500C-OM-103 EF

WARNING
FOR YOUR SAFETY:
For Outdoor Use Only
(outside any enclosure)

WARNING
FOR YOUR SAFETY:

1. Improper installation, adjustment, alteration, service or maintenance can cause injury or property damage.
2. Read the installation, operation, and maintenance instructions thoroughly before installing or servicing this equipment.
3. Failure to follow these instructions could result in fire or explosion, which could cause property damage, personal injury, or death.

Save these instructions for future reference. If you are assembling this unit for someone else, give this manual to him or her to read and save for future reference.





DANGER

If you smell gas -

1. Shut off gas to appliance.
2. Extinguish any open flame.
3. If odor continues, keep away from the appliance immediately and call your gas supplier or your fire department.



WARNING

FOR YOUR SAFETY

1. Do not store or use gasoline or other flammable liquids or vapors in the vicinity of this or any other appliance.
2. An LP cylinder not connected for use shall not be stored in the vicinity of this or any other appliance.

Safety First

DANGERS and Cautions

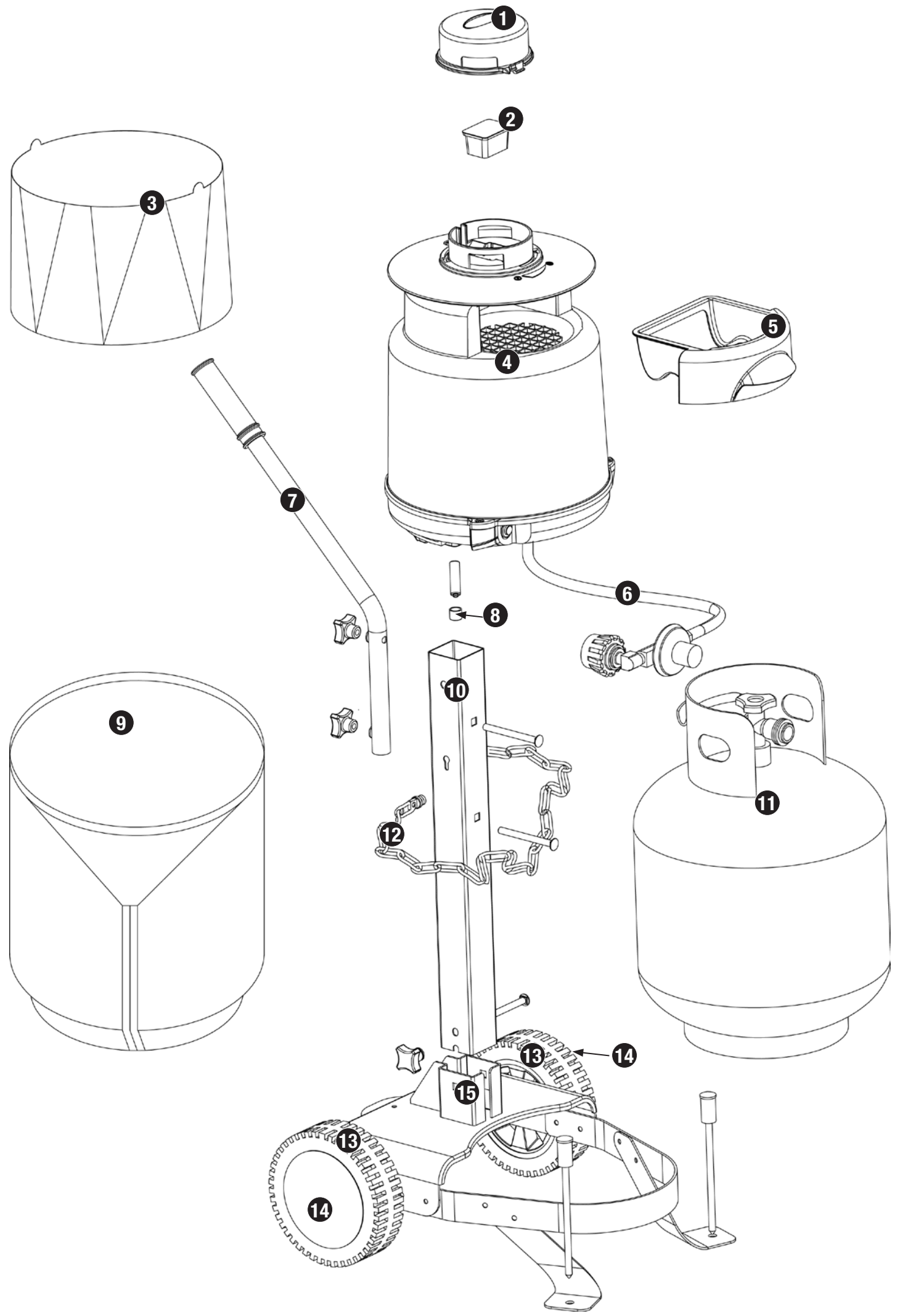
1. This SkeeterVac® is for outdoor use only, and shall not be used in a building, garage, or any other enclosed area.
2. Do NOT operate, light or use this appliance within 8 feet of walls, structures, buildings or combustible materials.
3. It is a violation of Federal law to use this product in a manner inconsistent with its labeling.
4. This SkeeterVac® is NOT for commercial use.
5. This SkeeterVac® is for use with liquid propane (LP) gas only. The conversion to or attempted use of natural gas in this LP gas SkeeterVac® is dangerous and will void your warranty.
6. LP gas Characteristics:
 - a. LP gas is flammable and hazardous if handled improperly. Become aware of the characteristics before using any LP gas product.
 - b. LP gas is explosive under pressure, heavier than air, and settles and pools in low areas.
 - c. LP gas in its natural state has no odor. For your safety, an odorant is added that smells like rotten cabbage.
 - d. Contact with LP gas can cause freeze burns to skin.
7. LP gas tank needed to operate. Only tanks marked "propane" may be used.
 - a. The LP gas supply tank must be constructed and marked in accordance with the *Specifications for LP gas Cylinders of the U.S. Department of Transportation (DOT) or the National Standard of Canada, CAN/CSA-B339, Cylinders, Spheres and Tubes for the Transportation of Dangerous Goods; and Commission.*
 - b. LP gas tank must be arranged for vapor withdrawal.
 - c. The LP gas tank must have a listed overfilling prevention device (OPD).
 - d. Only use 20-pound cylinders equipped with a cylinder connection device compatible with the connection for outdoor cooking appliances.
 - e. The LP gas tank must have a tank collar to protect the tank valve.
 - f. Never use an LP gas tank with a damaged body, valve, collar, or footing.
 - g. Dented or rusted LP gas tanks may be hazardous and should be checked by your LP gas supplier prior to use.
 - h. The LP gas tank should not be dropped or handled roughly.
 - i. Tanks must be stored outdoors out of the reach of children and must not be stored in a building, garage, or any other enclosed area. Your tank must never be stored where temperatures can reach over 125°F.
 - j. Never keep a filled LP gas tank in a hot car or car trunk. Heat will cause the gas pressure to increase, which may open the relief valve and allow gas to escape.
 - k. Place dust cap on cylinder valve outlet whenever the cylinder is not in use. Only install the type of dust cap on the cylinder valve outlet that is provided with the cylinder valve. Other types of caps or plugs may result in leakage of propane.
 - l. Do not store a spare LP gas tank under or near this appliance.
 - m. Never fill the tank beyond 80 percent full.
 - n. A fire causing, serious injury or damage to property may occur if the above is not followed exactly.
 - o. Always transport your tank in a secure, well-ventilated location in your vehicle. LP gas tank should be upright with valve turned off. LP gas tank should be taken directly to and from place of use.
8. Never attempt to attach this SkeeterVac® to the self-contained LP gas system of a camper trailer, motor home, or house.
9. The use of alcohol, or prescription or non-prescription drugs may impair the consumer's ability to properly assemble or safely operate the appliance.
10. Your SkeeterVac® has been checked at all factory connections for leaks. Recheck all connections, as movement in shipping can loosen connections.
11. Check for leaks even if your unit was assembled for you by someone else.
12. Do not operate if gas leak is present. Gas leaks may cause a fire or explosion.
13. You must follow all leak-checking procedures before operating. To prevent fire or explosion hazard when testing for a leak:
 - a. Always perform leak test before lighting the SkeeterVac® and each time the tank is connected for use.
 - b. No smoking. Do not use or permit sources of ignition in the area while conducting a leak test.
 - c. Conduct the leak test outdoors in a well-ventilated area.
 - d. Do not use matches, lighters, or a flame to check for leaks.
 - e. Do not use SkeeterVac® until any and all leaks are corrected. If you are unable to stop a leak, disconnect the LP gas supply. Call a gas appliance serviceman or your local LP gas supplier.
14. Do not store or use gasoline or other flammable liquids or vapors within 25 feet (7.62 m) of this appliance.
15. Do not use in an explosive atmosphere. Keep SkeeterVac® area clear and free from combustible materials, gasoline and other flammable vapors and liquids.
16. Minimum clearance from sides and back of unit to combustible construction, 21 inches from side and 21 inches from back. Do not use this appliance under overhead combustible surfaces.
17. It is essential to keep the SkeeterVac®'s valve compartment, burners, and circulating air passages clean. Inspect SkeeterVac® before each use.
18. Do not alter SkeeterVac® in any manner.
19. Do not use the SkeeterVac® unless it is COMPLETELY assembled and all parts are securely fastened and tightened.
20. This SkeeterVac® should be thoroughly cleaned and inspected on a regular basis. Clean and inspect the hose before each use of the appliance. If there is evidence of abrasion, wear, cuts, or leaks, the hose must be replaced prior to the appliance being put into operation.
21. Use only the regulator and hose assembly provided. The replacement regulator and hose assembly shall be that specified by the manufacturer.
22. Use only Blue Rhino Global Sourcing, LLC. factory authorized parts. The use of any part that is not factory authorized can be dangerous. This will also void your warranty.
23. Do not use this appliance without reading "Operating Instructions" in this manual.
24. Do not install or use in or on boats or recreational vehicles.
25. Product performance can vary due to weather, wind and other environmental conditions.
26. Never lean over the SkeeterVac® when lighting.
27. Do not attempt to move SkeeterVac® when in use. Allow the SkeeterVac® to cool before moving or storing.
28. Storage of SkeeterVac® indoors is permissible only if the tank is disconnected, removed from the SkeeterVac® and properly stored outdoors.
29. Do not attempt to disconnect the gas regulator from the tank or any gas fitting while the SkeeterVac® is in use.
30. Do not use SkeeterVac® for indoor cooking or heating. TOXIC fumes can accumulate and cause asphyxiation.
31. After a period of storage and/or nonuse, check for leaks, burner obstructions and inspect for any abrasion, wear, cuts to the hose.
32. If SkeeterVac® is not in use, the gas must be turned off at the supply tank.
33. Keep air intake areas clear of dust, dirt and debris
34. Do not allow children to operate or play near a SkeeterVac® device when it is in use.
35. Inspect for damage and wear during each maintenance cycle.
36. It is recommended to use only FineTune® mosquito attractant in your SkeeterVac®. The use of other attractants has not been tested with your product, and void your warranty.
37. Maximum inlet gas supply pressure is 11 inch water column
38. Deaths, serious injury or damage to property may occur if the above is not followed exactly.

Contact 1.800.762.1142 for assistance. Do not return to place of purchase.

Parts List

- ❶ Lure Cover
- ❷ FineTune® Lure
- ❸ TacTrap™
- ❹ Engine Assembly
- ❺ WaveDrawer™
- ❻ Regulator/Hose Assembly
- ❼ Handle
- ❽ Battery Cover
- ❾ LP Gas Tank Cover
- ❿ Post
- ⓫ LP Gas Tank (Not Included)
- ⓬ LP Gas Tank Retainer Chain
- ⓭ Wheel (2)
- ⓮ Hub Cap (2)
- ⓯ Base Assembly

Exploded View



Hardware

A	Bolt	M8x63 Nickel Plated	1 pc
B	Bolt	M8x83 Nickel Plated	2 pcs
C	Stake	ø8x180 Nickel Plated	2 pcs
D	Wing Nut		3 pcs
E	Washer	ø8 Steel	3 pcs
F	AA Battery		1 pc

Assembly Instructions

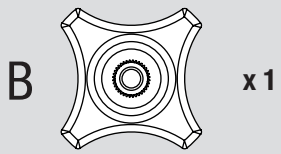
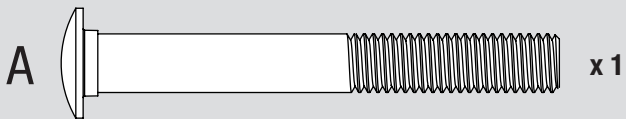
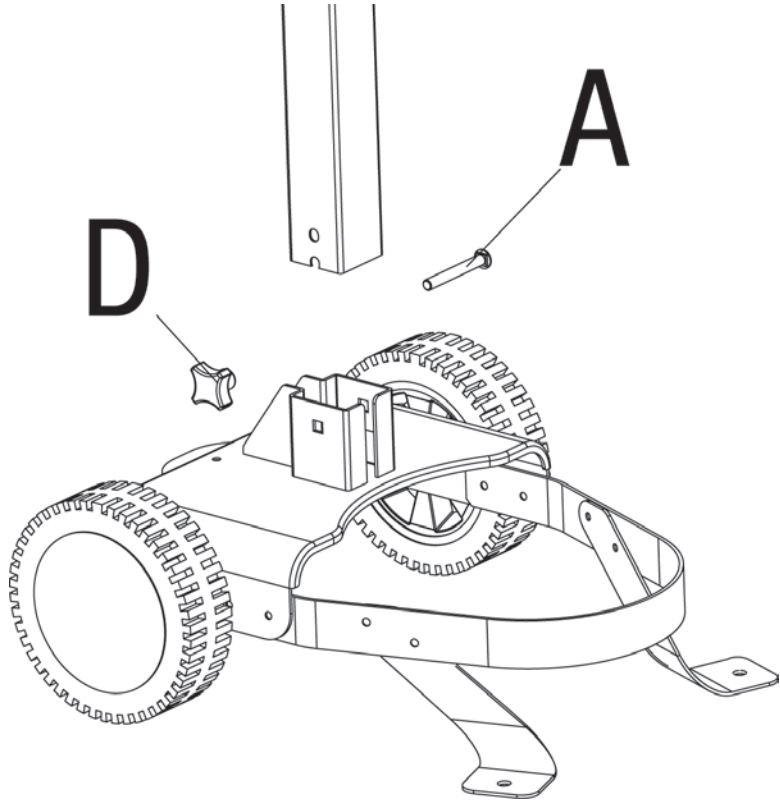
DO NOT RETURN PRODUCT TO STORE.

For assistance call **1.800.762.1142** toll free. Please have your owner's manual and serial number available for reference.

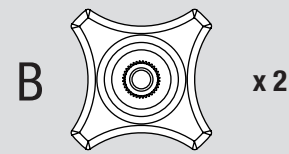
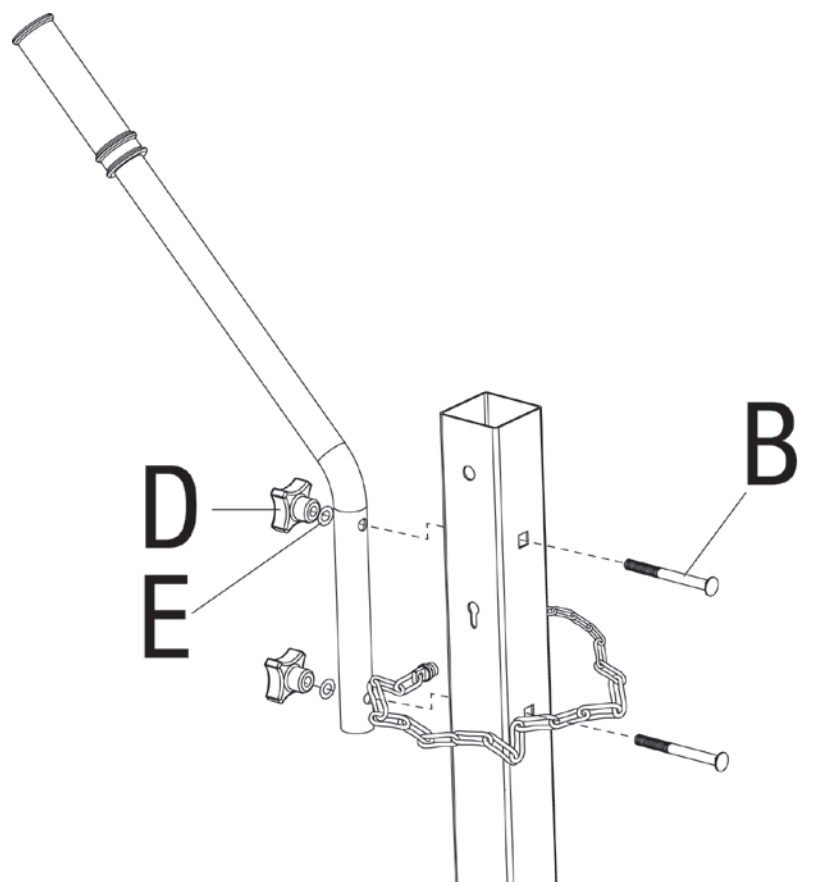
For Easiest Assembly:

- To avoid losing any small components or hardware, assemble your product on a hard level surface that does not have cracks or openings.

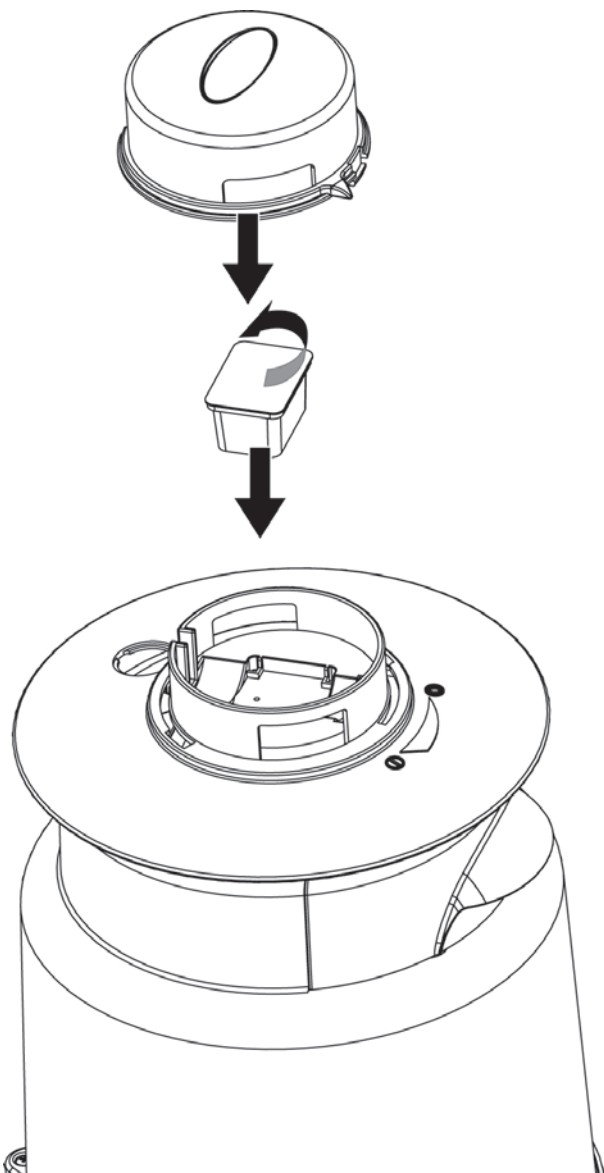
1 Attach Pole



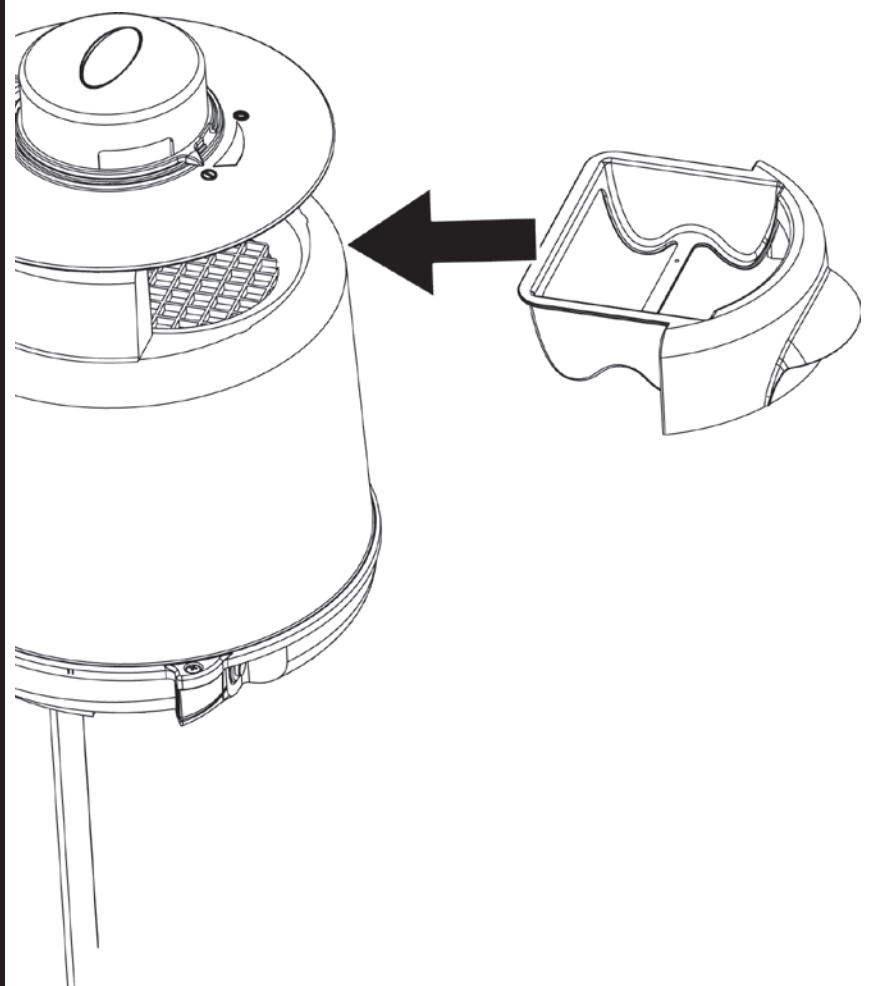
2 Attach Handle



5 Insert FinueTune® Lure and Attach Lure Cover



6 Insert WaveDrawer™

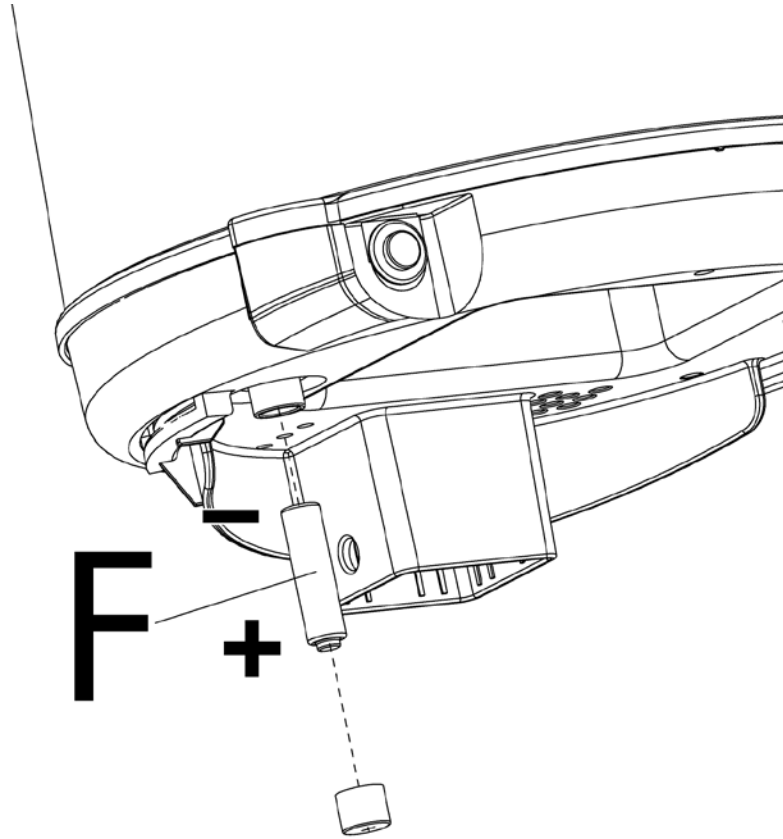


Contact 1.800.762.1142 for assistance. Do not return to place of purchase.

- Clear an area large enough to layout all components and hardware.
- When applicable, tighten all hardware connections by hand first. Once the step is completed, go back and fully tighten all hardware.

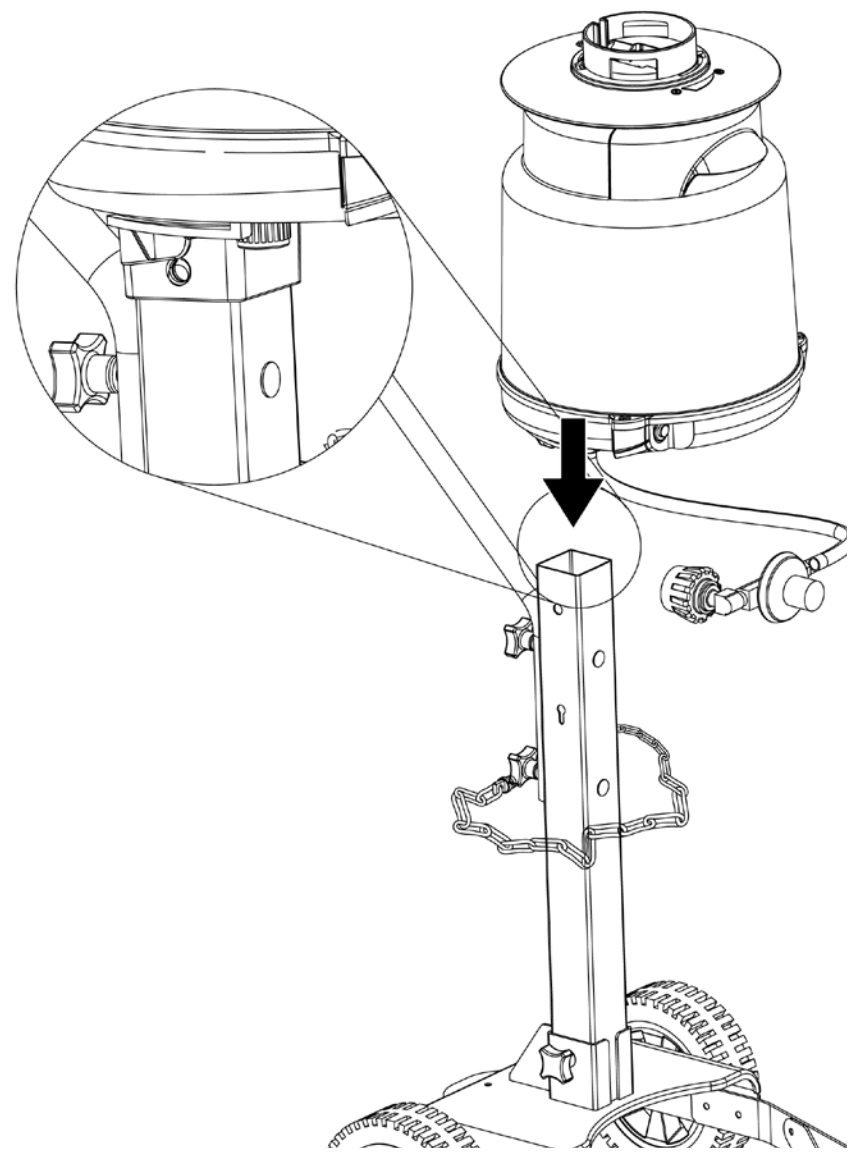
- Follow all steps in order to properly assemble your product.

3 Insert Battery

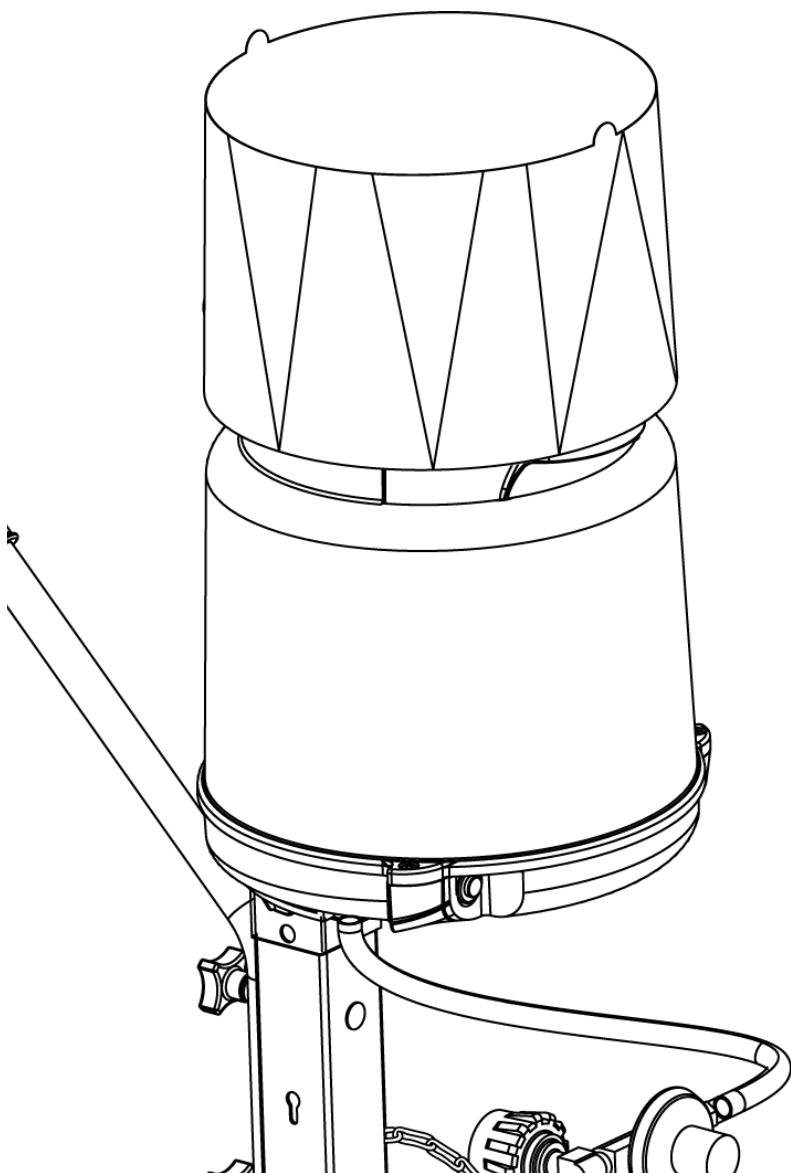


F  x1

4 Attach Engine Assembly

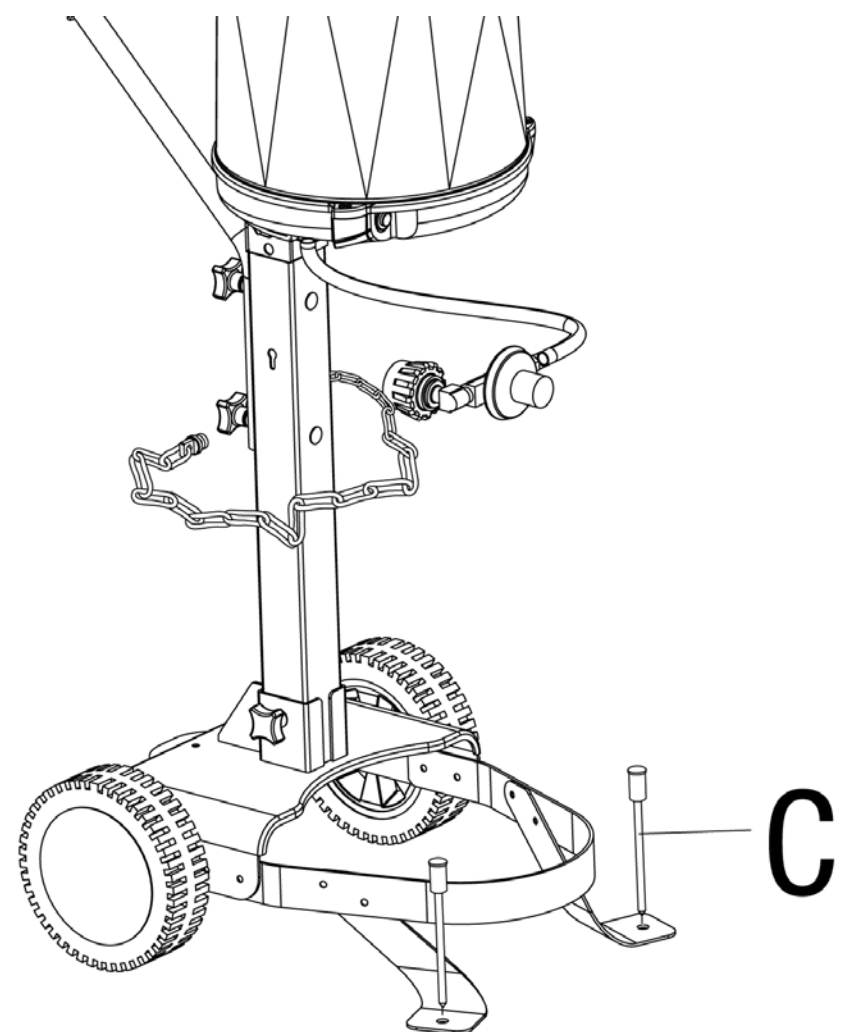



7 Attach TacTrap™



8 Insert Stakes

Note: Move SkeeterVac® to the final location before inserting stakes into ground.



C  x2

Installing LP Gas Tank

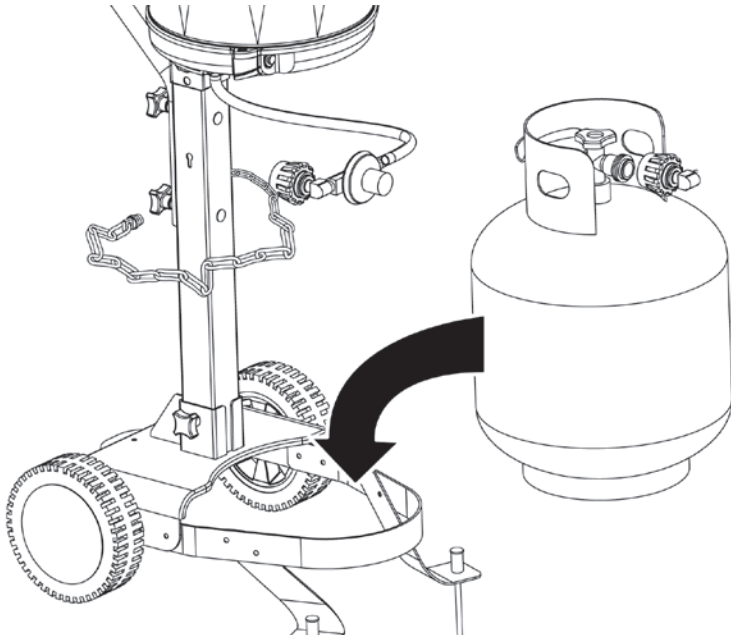
To operate you will need (1) precision-filled standard grill LP gas tank (20#) with external valve threads.

Note: An empty standard grill LP gas tank weighs approximately 18 lbs. A precision-filled standard grill LP gas tank should weigh no more than 38 lbs.



Insert LP Gas Tank

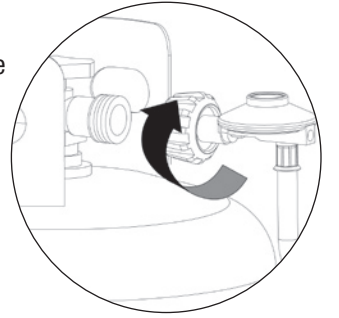
Place precision filled LP gas tank upright into hole in SkeeterVac® body so it is arranged for vapor withdrawal.



Connect LP Gas Tank

Before connecting, be sure that there is no debris caught in the head of the LP gas tank, head of the regulator valve or in the head of the burner and burner ports.

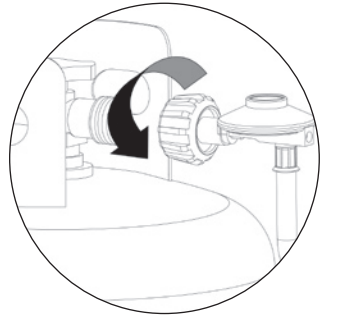
Connect gas line to tank by turning knob clockwise until it stops.



Disconnect LP Gas Tank

Before disconnecting make sure the LP gas tank valve OFF.

Disconnect gas line to tank by turning knob counterclockwise until it is loose.

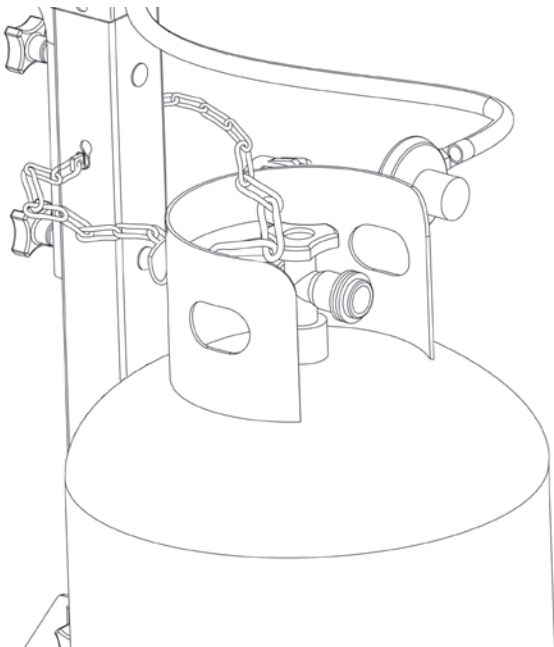


Need a tank of gas? Try Blue Rhino® tank exchange service. It's easy, fast, safe, and available at tens of thousands of conveniently located retail outlets nationwide. You can purchase a new full tank or exchange your empty for a precision filled one.

Visit www.bluerhino.com for a location closest to you.

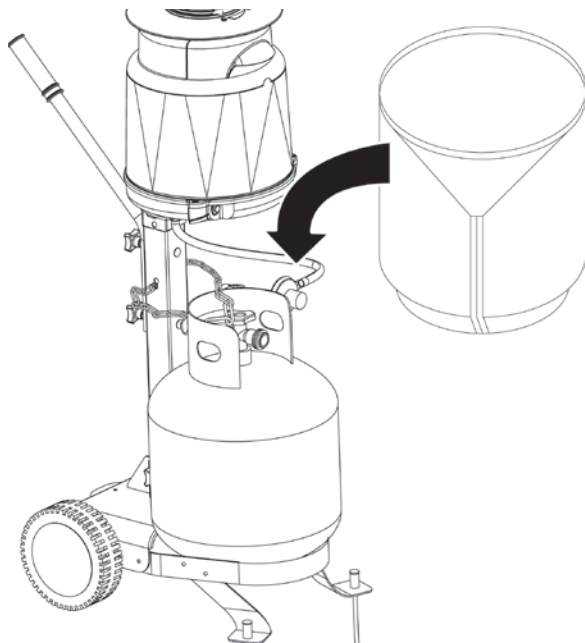
Secure LP Gas Tank

Secure tank by wrapping the LP gas tank retainer chain over collar of the LP gas tank.



Place LP Gas Tank Cover

Place the LP gas tank cover onto the LP gas tank.



Contact 1.800.762.1142 for assistance. Do not return to place of purchase.

Important Mosquito Information

Important Information

Your SkeeterVac® device operates 24 hours a day to help reduce the nuisance of mosquitoes. It attracts female mosquitoes that are seeking a blood meal to nourish their eggs. By removing these females you also remove their eggs.

- It may take up to 3-4 weeks to see a noticeable reduction in the nuisance. Be patient
- Begin operating your SkeeterVac® device once low temperatures remain above 50°F
- To reduce and maintain mosquito populations it is important for your SkeeterVac® device to operate continuously. Do not turn off the LP gas tank valve until your SkeeterVac® turns off, then immediately replace the empty tank with a full tank of propane
- Always contact our experts before returning product to place of purchase

Important Information About Octenol

Your SkeeterVac® device includes a lure that contains octenol (1-octen-3-ol). This pesticide is an effective attractant supplement for some mosquito species.

KEEP OUT OF REACH OF CHILDREN

▲ CAUTION: Harmful if swallowed, absorbed through the skin or inhaled. Avoid contact with skin, eyes and mouth. Wash hands thoroughly with soap and water after handling.

Important Information About Ultraviolet Light

This device radiates intense ultraviolet (UV) light when operated.

▲ CAUTION: Do not look directly at the device during operation. Exposure to UV light, even for a brief period, can damage your eyes.

For expert assistance call toll free - 1.888.762.1142.

Always contact our experts before returning product to place of purchase.

Mosquito Facts

- About 3,000 species of mosquitoes have been identified on a worldwide basis. Approximately 150 are known to exist in North America
- There are approximately 25 known “human nuisance species” of mosquitoes
- Most adult mosquitoes only have a life span of 2-4 weeks
- Only female mosquitoes bite
- Mosquitoes are very effective at reproducing - attracting, trapping and killing just one female mosquito at the start of mosquito season can prevent the birth of up to 25,000 more mosquitoes that season alone!

Controlling Mosquitoes

In addition to properly installing and using a SkeeterVac® device, you can reduce mosquito breeding around your home significantly by reducing the amount of water that is stagnating on your property. Be aware that mosquitoes can and will develop in any puddle or pool of water that lasts more than 4 days.

- Dispose of cans, plastic containers, pots, or similar water-holding containers that have accumulated on your property
- Drill holes in the bottom of containers that you must leave out of doors – trash cans, recycling bins, etc
- Clean clogged roof gutters on an annual basis
- Turn over plastic wading pools when not in use
- Turn over wheelbarrows, empty planters, or children’s toys when not in use
- Don’t allow water to stagnate in birdbaths
- Aerate ornamental pools or stock them with fish
- Clean and chlorinate swimming pools that are not being used. Don’t forget that mosquitoes breed in the water that collects on swimming pool covers
- Use landscaping features or drainage tools to eliminate standing water that collects in low spots on your property

Helpful Links

More information about mosquitoes in the United States can be found on the following sites, among many others.

- The American Mosquito Control Association: <http://www.mosquito.org>
- US Environmental Protection Agency: <http://www.epa.gov/pesticides/health/mosquitoes>
- National Center for Infectious Diseases: <http://www.cdc.gov> . Search for “Mosquitoes”.

None of the agencies listed above is an endorser of the SkeeterVac® device, and inclusion on the list above does not signify that they endorse the SkeeterVac® device. Links provided for customer information only.

Operating Instructions

Checking for Leaks

Tank/Gas Line Connection

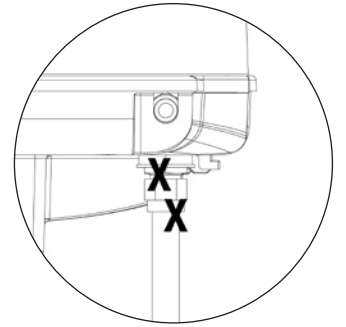
Make 2-3 oz. of leak solution by mixing one part liquid dishwashing soap with three parts water.

Turn LP gas tank “ON” at valve.

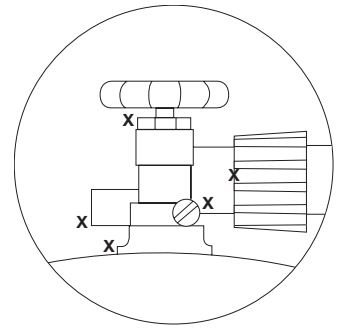
Spoon leak check solution at all “x” locations

If any bubbles appear turn LP gas tank “OFF”, reconnect and re-test. If you continue to see bubbles after several attempts, disconnect LP gas source and contact 1.800.762.1142 for assistance.

If no bubbles appear after one minute turn tank “OFF”, wipe away solution and proceed.



Regulator/Hose Assembly Connection



LP Gas Tank Valve

Placement

Properly positioning your SkeeterVac® device is important to maximizing performance. Since the SkeeterVac® device attracts mosquitoes it should be placed at least 10 feet from your living areas.

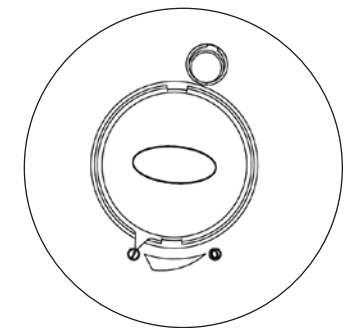
Mosquitoes typically live in areas that are shady, wet and/or moist. Determine the primary mosquito habitat and place your SkeeterVac® device as close as possible to it.

If you live in an area with consistent wind, place your SkeeterVac® device upwind from the primary mosquito habitat.

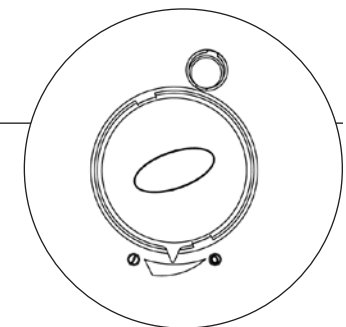
▲ CAUTION: Tipping danger. Use stakes to secure.

Once you have selected the location, secure the SkeeterVac® device by placing a stake in each of the (2) front feet.

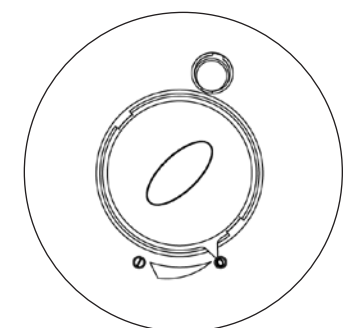
Maximum performance may require relocating your SkeeterVac® device from time to time. To move, remove stakes, place your foot on the cart base and tilt backward by holding the handle. Pull to the new location. Re-install stakes.



Lure Output: Fully Open



Lure Output: Half Open



Lure Output: Closed

FineTune®: Customizing the Lure Output

The amount of octenol your SkeeterVac® device dispenses is important to maximizing performance. Some mosquito species are highly attracted to octenol while others are less attracted.

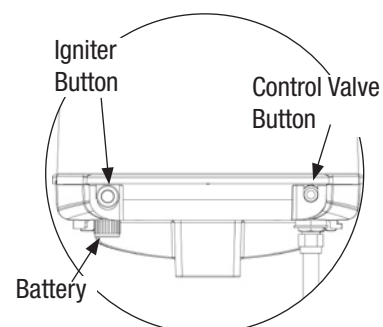
This product contains an easy-to-use feature that allows you to customize the amount of octenol released to match the species in your environment.

Note: Lure lasts 60 days.

1. Remove Finetune® cover by turning counterclockwise.
2. Remove foil seal from the Finetune® Lure.
3. Place Finetune® lure back into holder with holes orienting upward.
4. Replace Finetune® cover.
5. Select the lure output by adjusting the Finetune® cover.

Lighting

1. Read instructions before lighting.
2. Turn “ON” gas at LP gas tank.
3. Press and hold control valve button.
4. IMMEDIATELY press and hold igniter button down until you hear a “POP” sound indicating ignition. Normally occurs within 20 seconds.
5. Continue to hold control valve button for 30 seconds.
6. The needle on the engine gauge should begin to move into the “Green” zone, the LED lights will be flickering and the vacuum fan will be running with air flow out of the engine bottom, indicating ignition is complete.



Button Placement

▲ CAUTION: If engine fails to light, shut LP gas off at tank and wait 5 minutes before attempting to restart the engine by following the lighting instructions.

Turning Off

Turn LP gas tank “OFF” by turning valve clockwise until it stops.

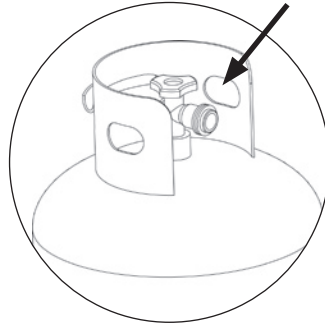
▲ CAUTION: The gas supply must be turned off at the LP-gas tank when this outdoor gas appliance is not in use.

Cleaning and Care

- ▲ **CAUTION:** All cleaning and maintenance should be done when SkeeterVac® is cool and with the fuel supply disconnected.
- ▲ **CAUTION:** DO NOT clean any SkeeterVac® part in a self cleaning oven.
- ▲ **CAUTION:** This SkeeterVac® should be thoroughly cleaned and inspected on a regular basis.
- ▲ **CAUTION:** Abrasive cleaners will damage this product.

Before Each Use:

1. Keep the SkeeterVac® area clean and free from any combustible materials, gasoline, and other flammable vapors and liquids.
2. Do not obstruct the flow of the combustion of LP and the ventilation air.
3. Keep the ventilation opening(s) of the LP gas tank area free and clear from debris.
4. See "Cleaning Instructions" for proper cleaning instructions.



LP Gas Tank Ventilation Area

Cleaning Instructions / Routine Service

To ensure maximum performance and to lengthen the life of your SkeeterVac® device, perform these steps each time your tank is empty. This model will consume a standard 20# LP gas tank every 15-18 days.

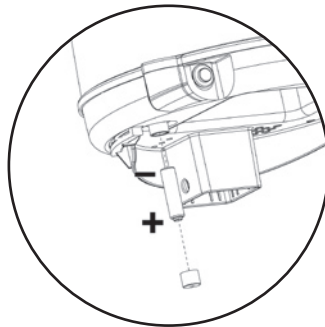
Note: While unit is in use, check the following every 2-3 days:

- Check WaveDrawer™ and clean (if necessary).
 - Check air passages for blockage.
1. Turn valve on LP gas tank "OFF".
 2. Disconnect hose/regulator gas line from tank by turning knob counterclockwise.
 3. Remove empty tank replace with full LP gas tank.
 4. Remove WaveDrawer™, empty and clean.
 5. Slide WaveDrawer™ back into place.
 6. Remove used TacTrap™ and dispose of properly.
 7. Slide fresh TacTrap™ in place and remove protective paper.
 8. Remove Finetune® cover by turning counterclockwise.
 9. Remove used Finetune® lure (if necessary) and properly dispose.
Note: Finetune® Lure lasts 60 days.
 10. Remove fresh Finetune® lure from package (if necessary). Dispose of packaging properly.
 11. Place Finetune® lure back into holder with holes orienting upward.
 12. Replace Finetune® cover.
 13. Select the lure output by adjusting the Finetune® cover.
 14. Check engine and gas lines for any sign of damage or missing parts. Repair any problems before attempting to start.
 15. Reconnect gas line to LP gas tank by turning knob clockwise.
 16. Remove tank cover from empty LP gas tank and place on full LP gas tank.
 17. Perform leak check.
 18. Start following "Lighting" instructions.
 19. Wash hands with soap and water.

Replacing Igniter Battery

If you do not hear a clicking sound when the igniter button is depressed, the battery may have lost its charge. Replace battery as follows:

1. Turn LP gas tank valve "OFF".
2. Open battery compartment by turning cap on bottom of engine counterclockwise.
3. Remove used battery and properly dispose.
4. Place fresh AA battery into compartment – negative (–) end goes in first.
5. Secure cap by turning clockwise until it stops.
6. Start following "Lighting" instructions.



Battery Placement

End of Season Storage

To lengthen the life of your SkeeterVac® device, perform these simple steps at the end of the mosquito season.

1. Turn valve on LP gas tank "OFF".
2. Disconnect regulator/hose assembly from tank by turning knob counterclockwise.
3. Remove tank cover.
4. Remove LP gas tank and store outdoors away from children and must not be stored in a building, garage or other enclosed area.
5. Remove and properly dispose of the TacTrap™ and FineTune® lure.
6. Cover your SkeeterVac® device to protect from dust and store it in a cool dry place.

▲ **CAUTION:** Storage of an outdoor gas appliance indoors is only permissible if the tank is disconnected and removed from the outdoor gas appliance.

Product Registration

For faster warranty service, please register your product immediately at www.bluerhino.com or call 1.800.762.1142.

Limited Warranty

Blue Rhino Global Sourcing, LLC ("Vendor") warrants to the original retail purchaser of this product, and to no other person, that if this product is assembled and operated in accordance with the printed instructions accompanying it, then for a period of one (1) year from the date of purchase, all parts in such product shall be free from defects in material and workmanship. Vendor may require reasonable proof of your date of purchase. Therefore, you should retain your sales slip or invoice. This Limited Warranty shall be limited to the repair or replacement of parts, which prove defective under normal use and service and which Vendor shall determine in its reasonable discretion upon examination to be defective. Before returning any parts, you should contact Vendor's Customer Service Department using the contact information listed below. If Vendor confirms, after examination, a defect covered by this Limited Warranty in any returned part, and if Vendor approves the claim, Vendor will replace such defective part without charge. If you return defective parts, transportation charges must be prepaid by you. Vendor will return replacement parts to the original retail purchaser, freight or postage prepaid.

This Limited Warranty does not cover any failures or operating difficulties due to accident, abuse, misuse, alteration, misapplication, improper installation or improper maintenance or service by you or any third party, or failure to perform normal and routine maintenance on the product as set out in this owner's manual. In addition, the Limited Warranty does not cover damage to the finish, such as scratches, dents, discoloration, rust or other weather damage, after purchase.

This Limited Warranty is in lieu of all other express warranties. Vendor disclaims all warranties for products that are purchased from sellers other than authorized retailers or distributors, including the warranty of merchantability or the warranty of fitness for a particular purpose. VENDOR ALSO DISCLAIMS AND ANY ALL IMPLIED WARRANTIES, INCLUDING WITHOUT LIMITATION THE IMPLIED WARRANTIES OF MERCHANTABILITY AND FITNESS FOR A PARTICULAR PURPOSE. VENDOR SHALL NO LIABILITY TO PURCHASER OR ANY THIRD PARTY FOR ANY SPECIAL, INDIRECT, PUNITIVE, INCIDENTAL, OR CONSEQUENTIAL DAMAGES. Vendor further disclaims any implied or express warranty of, and assumes no responsibility for, defects in workmanship caused by third parties.

This Limited Warranty gives the purchaser specific legal rights; a purchaser may have other rights depending upon where he or she lives. Some jurisdictions do not allow the exclusion or limitation of special, incidental or consequential damages, or limitations on how long a warranty lasts, so the above exclusion and limitations may not apply to everyone.

Vendor does not authorize any person or company to assume for it any other obligation or liability in connection with the sale, installation, use, removal, return, or replacement of its equipment, and no such representations are binding on Vendor.

Blue Rhino Global Sourcing, LLC
Winston-Salem, North Carolina USA
(800) 762-1142

Troubleshooting

Problem	Possible Cause	Prevention/Cure
Engine will not light	Igniter does not work	Check battery; replace if necessary
	No LP gas	Check LP gas tank; replace if necessary Hold in control knob for 30 seconds. If it still does not light, please call customer Care.
If problems can not be correct by using these methods, please contact 1.800.762.1142 for assistance.		

Exterminateur de moustiques au propane pour l'extérieur

Modèle n° SV3500C

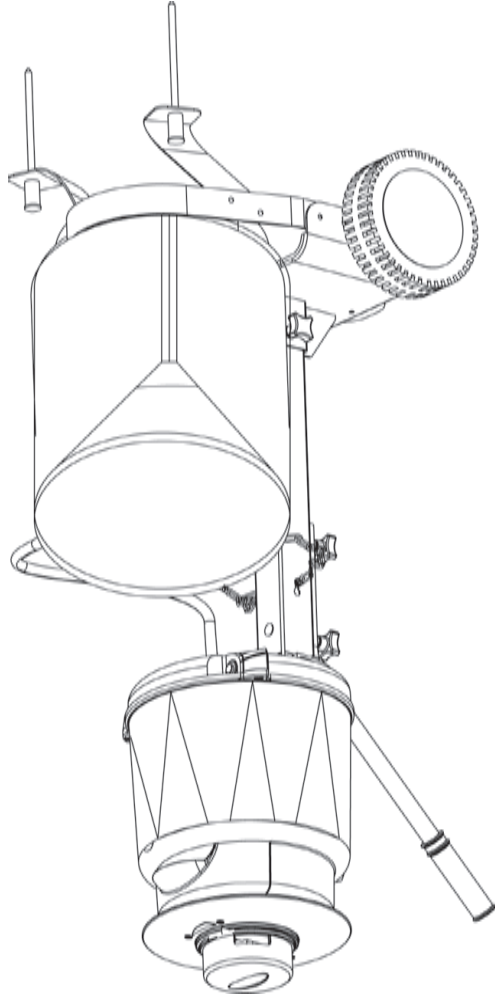


Table des matières

Page 2 Consignes de sécurité importantes.....

3 Vue éclatée des pièces et quincaillerie.....

4 Directives d'assemblage.....

6 Installer la bouteille de propane.....

6 Insérer la bouteille de propane.....

6 Fixer la bouteille de propane.....

6 Branchementer la bouteille de propane.....

6 Débrancher la bouteille de propane.....

7 Information importante concernant les moustiques.....

7 Information importante.....

7 Information importante concernant l'octénol.....

7 Information importante concernant les rayons ultraviolets.....

7 Des données intéressantes sur les moustiques.....

7 Comment contrôler les moustiques.....

7 Liens pratiques.....

7 Fonctionnement.....

7 Rechercher une fuite potentielle.....

7 Emplacement.....

7 Fine Tune® : Régler l'appât selon vos besoins.....

7 Allumer l'appareil.....

7 Éteindre l'appareil.....

8 Nettoyage et entretien.....

8 Avant chaque utilisation.....

8 Instructions de nettoyage et entretien de routine.....

8 Remplacer la pile de l'allumeur.....

8 Remisage de fin de saison.....

8 Enregistrement de l'appareil.....

8 Garantie limitée.....

8 Guide de dépannage.....

L'utilisation et l'installation de cet appareil doivent être conformes aux codes locaux. En l'absence de codes locaux, suivez le Code national du gaz combustible, la réglementation ANSI Z223.1/NFPA 54, CAN/CGA-B149.1 et le Code d'installation du gaz naturel et du propane.

Conserver ces instructions afin de pouvoir les consulter ultérieurement. Si cet appareil est en train d'être assemblé pour une autre personne, veiller à lui fournir le manuel afin qu'elle puisse le lire et le consulter plus tard.

AVERTISSEMENT

POUR VOTRE SÉCURITÉ:

1. Toute installation défectueuse ou modification incorrecte ainsi que tout mauvais réglage ou entretien incorrect risque d'entraîner des blessures ou des dégâts matériels.

2. Lire complètement les instructions d'installation, d'utilisation et d'entretien avant de procéder à la maintenance de l'appareil ou à son entretien.

3. Le non-respect de ces instructions risque de provoquer un incendie ou une explosion et d'entraîner des dégâts matériels, des blessures graves voire la mort.

AVERTISSEMENT

POUR VOTRE SÉCURITÉ:

Pour usage à l'extérieur seulement (hors de tout abri clos)

DANGER



- 1. Fermer le robinet de gaz alimentant l'appareil.
- 2. Éteindre toute flamme.
- 3. Si l'odeur persiste, s'éloigner de l'appareil et contacter immédiatement le fournisseur de bouteilles de gaz ou les pompiers.

En cas d'odeur de gaz:

La sécurité avant tout

DANGERS et Mises en garde

1. Ce SkeeterVac® doit être utilisé uniquement à l'extérieur et ne doit pas être utilisé dans un immeuble, un garage ou tout autre espace clos.
2. NE PAS utiliser ou allumer cet appareil à moins de 2,43 m de tout mur, construction ou immeuble.
3. Le fait d'utiliser cet article d'une manière contre-indiquée aux instructions de l'étiquette d'emballage représente une violation de la loi fédérale.
4. Ce SkeeterVac® N'est PAS destiné à un usage commercial.
5. Ce SkeeterVac doit être utilisé uniquement avec du propane liquide (PL). Toute utilisation de gaz naturel avec ce SkeeterVac® ou tentative de conversion au gaz naturel de ce SkeeterVac® est dangereuse et rendra la garantie nulle et non avenue.
6. Caractéristiques du propane (PL) :
- a. Le propane est un gaz inflammable et dangereux si ce dernier n'est pas manipulé correctement. Il est indispensable de connaître les dangers encourus avant d'utiliser tout appareil fonctionnant au propane.
- b. Le propane est un gaz inflammable qui risque d'exploser sous pression.
- c. Le propane est un gaz plus lourd que l'air présent en gisements dans les régions basses.
- d. Tout contact du propane avec la peau risque d'entraîner des brûlures.
- e. Il est nécessaire de brancher une bouteille de propane pour faire fonctionner le SkeeterVac®. Seules les bouteilles marquées « propane » peuvent être utilisées.
- a. La bouteille de propane doit être fabriquée, marquée et mise en service conformément à la *Réglementation sur les bouteilles de gaz de pétrole liquéfié établie par le Ministère des transports des États-Unis (DOT) ou répondre à la Norme nationale canadienne CAN/CSA-B339 sur les bouteilles, sphères et tubes destinés au transport des marchandises dangereuses et la commission.*
- b. La bouteille de propane doit être placée et homologuée afin de faciliter l'extraction des vapeurs de gaz.
- c. La bouteille de propane doit être équipée d'un système d'arrêt volumétrique (OPD) empêchant tout remplissage excessif.
- d. Utiliser uniquement des bouteilles de propane de 20 lbs (9 kg) équipées d'un dispositif de branchement compatible avec le raccord d'un appareil de cuisson de plein air.
- e. La bouteille de gaz doit posséder un col afin de protéger le robinet et la soupape.
- f. Ne jamais utiliser une bouteille de propane si le corps, le robinet, la soupape, le col ou le socle sont endommagés.
- g. Toute bouteille bosselée ou présentant des traces de rouille risque d'être dangereuse et devrait être vérifiée par votre fournisseur de bouteilles de propane avant de l'utiliser.
- h. Ne pas laisser tomber la bouteille ni la manipuler brusquement ou brutalement
- i. Les bouteilles de gaz doivent être stockées à l'extérieur, hors de portée des enfants et ne doivent pas être entreposées dans un bâtiment, un garage ou dans tout autre lieu fermé. Les bouteilles de gaz ne doivent jamais être entreposées dans un endroit où la température risque de dépasser 51,6°C (125°F)
- j. Ne jamais garder une bouteille de propane pleine dans une voiture ou dans le coffre d'une voiture sous une forte chaleur. La chaleur peut provoquer une augmentation de la pression du gaz, pouvant provoquer l'ouverture de la soupape de sécurité et laisser s'échapper le gaz.
- k. Placer un capuchon cache-pousière sur la sortie du robinet de la bouteille de gaz lorsque vous ne l'utilisez pas. Installer uniquement le type de capuchon cache-pousière sur la sortie du robinet de gaz de la bouteille qui est fourni avec le robinet de la bouteille. Un capuchon cache-pousière ou un bouchon d'un autre type risque d'entraîner une fuite du propane.
- l. Ne pas entreposer une bouteille de propane de rechange sous ou à proximité de cet appareil.
- m. Ne jamais remplir une bouteille de propane à plus de 80% de sa capacité.
- n. Le non respect des instructions ci-dessus risque d'entraîner un incendie et de provoquer des dégâts matériels et des blessures graves.
- o. Veiller à toujours transporter votre bouteille de gaz dans un endroit bien aéré et ventilé à bord de votre véhicule. La bouteille de propane se être transportée directement du lieu d'achat à l'endroit où elle sera utilisée.
7. Ne jamais essayer de raccorder ce SkeeterVac® au circuit de propane d'une tente-caravane, d'une autocaravane ou de votre maison.
8. La prise d'alcool, de médicaments ou de drogues risque de nuire à l'aptitude de l'utilisateur à assembler ou à utiliser cet appareil en toute sécurité.
10. Votre SkeeterVac® a été vérifié en usine afin de s'assurer que les raccords ne présentent aucune fuite. Vérifier à nouveau tous les raccords car il est possible qu'ils se soient desserrés lors du transport.

11. Vérifier que l'appareil ne présente aucune fuite même si ce dernier a été assemblé pour vous par quelqu'un d'autre.
12. Ne pas utiliser le SkeeterVac® en cas de fuite de gaz. Toute fuite de gaz risque de provoquer un incendie ou une explosion.
13. Il est obligatoire de suivre toutes les procédures de détection de fuite avant d'utiliser cet appareil. Afin d'éviter tout risque d'incendie et d'explosion lorsque l'on recherche une fuite:
- a. Vérifier que le circuit ne présente aucune fuite en effectuant un essai d'étanchéité avant d'allumer le SkeeterVac® à chaque fois que la bouteille est branchée et prête à être utilisée.
- b. Interdiction de fumer. Ne pas utiliser ni laisser de sources d'ignition à proximité du SkeeterVac® lorsque l'on procède au test d'étanchéité afin de rechercher une fuite.
- c. Effectuer le test d'étanchéité en plein air, dans un emplacement bien aéré.
- d. Ne pas utiliser d'allumettes, de briquets ou de flamme nue afin de rechercher une fuite.
- e. Ne pas utiliser le SkeeterVac® avant d'avoir réparé toute les fuites. S'il s'avère impossible d'arrêter une fuite, débrancher la bouteille de propane. Contacter un réparateur ou votre fournisseur de bouteilles de propane.
14. Ne pas utiliser ni entreposer d'essence ou de liquides présentant des vapeurs inflammables à moins de 7,62 m de cet appareil.
15. Ne pas utiliser le SkeeterVac® en présence de vapeurs et d'émanations explosives. Veiller à ce que la zone autour du SkeeterVac® demeure dégagée et dépourvue de matières combustibles, d'essence et d'autres liquides et vapeurs inflammables.
16. La distance de sécurité minimum entre l'appareil et toute construction combustible est de 53 cm sur les côtés et de 53 cm à l'arrière. Ne pas utiliser cet appareil sous une structure combustible en saillie, suspendue ou non protégée.
17. Il est primordial que le compartiment de la commande du SkeeterVac®, les brûleurs et les orifices permettant la circulation de l'air demeurent propres. Vérifier le SkeeterVac® avant chaque utilisation.
18. Ne modifier en aucune façon le SkeeterVac®.
19. Ne pas utiliser le SkeeterVac® à moins qu'il ne soit COMPLÈTEMENT assemblé et que les pièces ne soient toutes fixées et serrées.
20. Ce SkeeterVac® doit être vérifié et nettoyé en entier régulièrement. Nettoyer et inspecter le tuyau à chaque fois, avant d'utiliser l'appareil. En cas d'abrasion, d'usure, de coupures ou de fuite, le tuyau doit être remplacé avant que cet appareil ne soit mis en fonctionnement.
21. Utiliser uniquement le régulateur et le tuyau fournis. Le régulateur et le tuyau de rechange doivent être ceux spécifiés par le fabricant.
22. Utiliser uniquement des pièces agréées de l'usine Blue Rhino Global Sourcing, LLC. L'emploi de toute pièce non agréée peut être dangereuse et entraînera l'annulation de la garantie.
23. Ne pas utiliser cet appareil avant de lire le chapitre « Fonctionnement » de ce manuel.
24. Ne pas installer ni utiliser cet appareil à bord d'un bateau ou d'un véhicule récréatif.
25. Ne pas utiliser le SkeeterVac® si la vitesse du vent dépasse 16 km/h.
26. Ne jamais se pencher au-dessus du SkeeterVac® pour l'allumer.
27. Ne pas essayer de déplacer le SkeeterVac® quand il est allumé. Laisser le SkeeterVac® refroidir avant de le déplacer ou de le remettre.
28. Le remisage du SkeeterVac® à l'intérieur est autorisé seulement si la bouteille a été débranchée et retirée du SkeeterVac® et correctement entreposée à l'extérieur.
29. Ne pas tenter de débrancher le régulateur de gaz de la bouteille ou de débrancher une pièce quelconque de l'alimentation du gaz lorsque le SkeeterVac® est allumé.
30. Ne pas utiliser le SkeeterVac® pour se chauffer ou pour cuisiner à l'intérieur. Des émanations TOXIQUES de monoxyde de carbone peuvent s'accumuler et provoquer l'asphyxie.
31. Après une période de remisage ou si le SkeeterVac® n'a pas été utilisé pour une certaine période, s'assurer qu'il n'y a pas de fuite et que les brûleurs ne sont pas bouchés. Vérifier également que le tuyau ne présente pas de traces d'abrasion, d'usure ou de coupures.
32. Si le SkeeterVac® n'est pas utilisé, fermer le gaz au niveau de la bouteille et débrancher la bouteille.
33. S'assurer que les ouvertures d'entrée d'air sont propres et ne comportent pas de poussière, de saleté ou de débris.
34. Ne jamais laisser d'enfants utiliser le SkeeterVac® ni les laisser jouer à proximité de ce dernier lorsqu'il est allumé.
35. Vérifier l'appareil afin de s'assurer qu'il n'est pas endommagé et ne présente pas de traces d'usure à chaque opération d'entretien.
36. Il est recommandé d'utiliser uniquement l'appât pour moustiques FineTune® avec le SkeeterVac®. Cet appareil n'a pas été testé avec d'autres attrants et leur emploi rendra la garantie nulle et non avenue.
37. La pression d'alimentation maximum est de 11 po. (28 cm) de colonne d'eau.
38. Le non respect des instructions ci-dessus risque d'entraîner des dégâts matériels et des blessures graves voire mortelles.

AVERTISSEMENT
POUR VOTRE SÉCURITÉ:

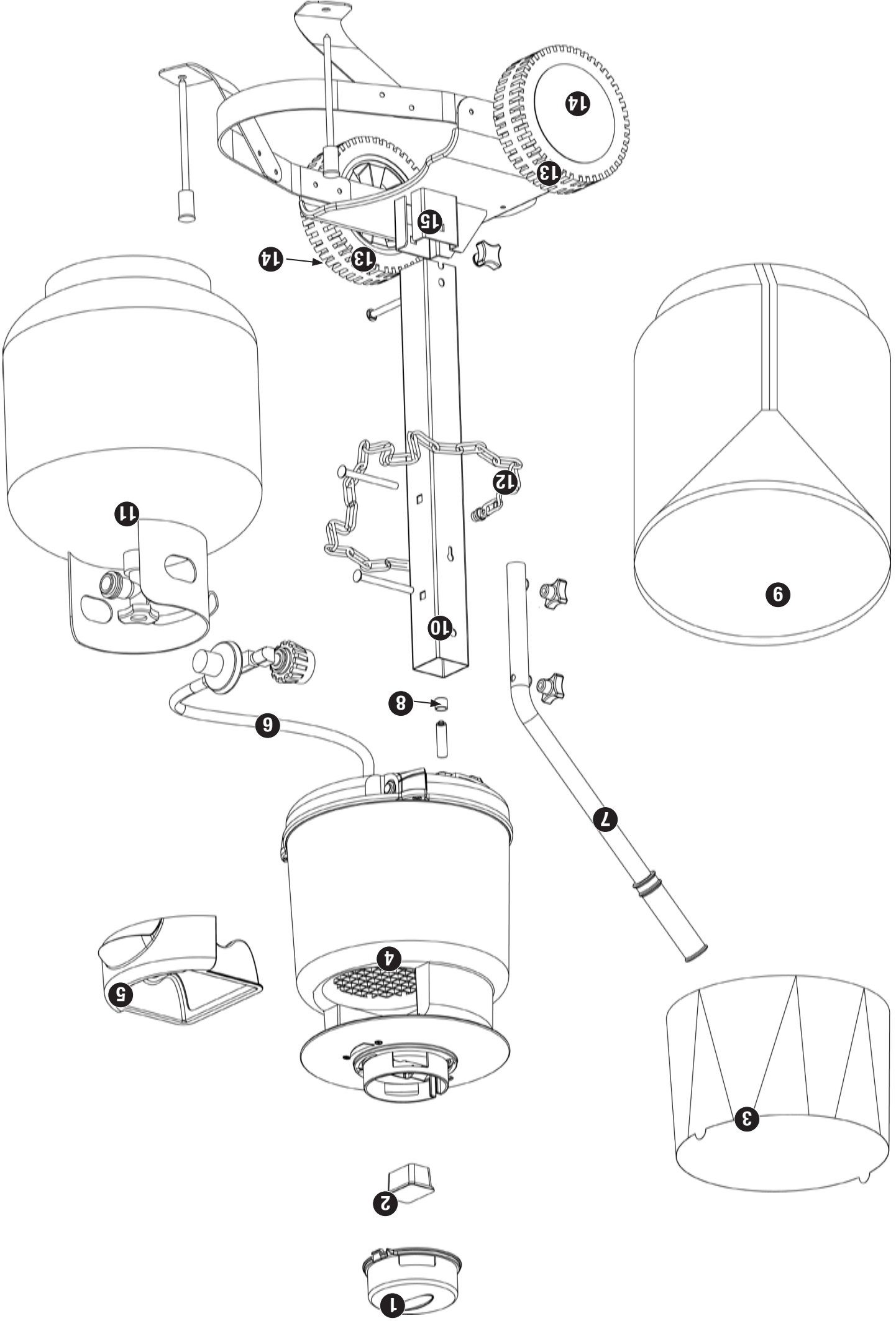


1. Ne pas utiliser ni entreposer de l'essence ou des liquides présentant des vapeurs inflammables dans le voisinage de cet appareil ou de tout autre appareil.
2. Ne pas entreposer une bouteille de propane de rechange dans le voisinage de cet appareil.

Liste des pièces

- 1 Couvrec de l'appât pour insectes
- 2 Appât pour insectes FineTune®
- 3 Piège TacTrap™
- 4 Dispositif de fonctionnement
- 5 Compartiment WaveDrawer™
- 6 Régulateur et tuyau
- 7 Poignée
- 8 Capuchon de la pile
- 9 Cache de protection de la bouteille de propane
- 10 Montant
- 11 Bouteille de propane (non fournie)
- 12 Chaîne de retenue de la bouteille de propane
- 13 Roue (2)
- 14 Enjoliveur (2)
- 15 Ensemble du socle

Vue éclatée



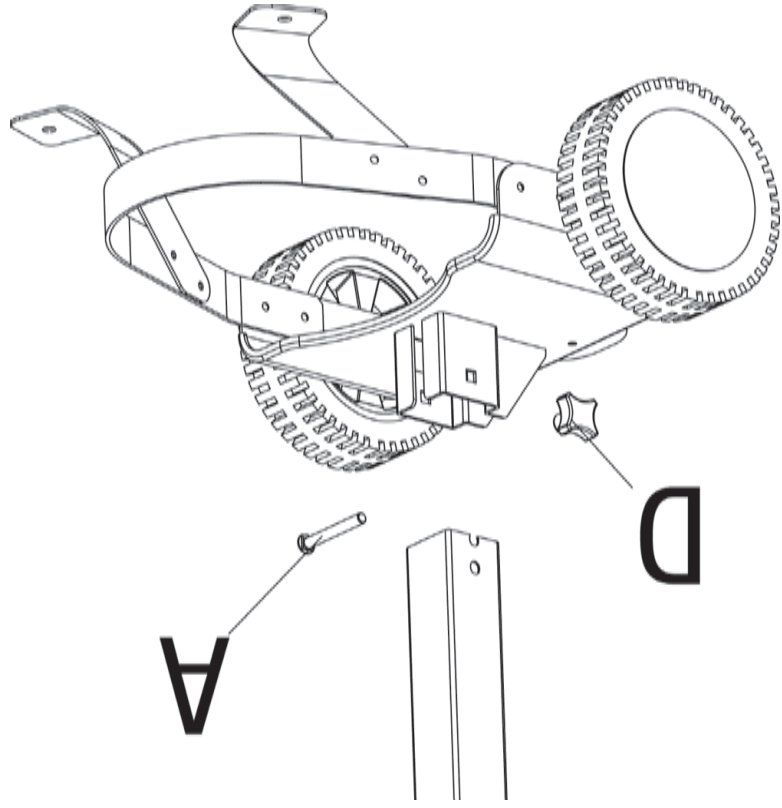
Quincaillerie

A	Boulon	Niqué, M8x3	1 pc
B	Boulon	Niqué, M8x3	2 pcs
C	Piquet	Niqué, ø8x180	2 pcs
D	Écrou à oreilles		3 pcs
E	Rondelle	Acier, ø8	3 pcs
F	Pile AA		1 pc

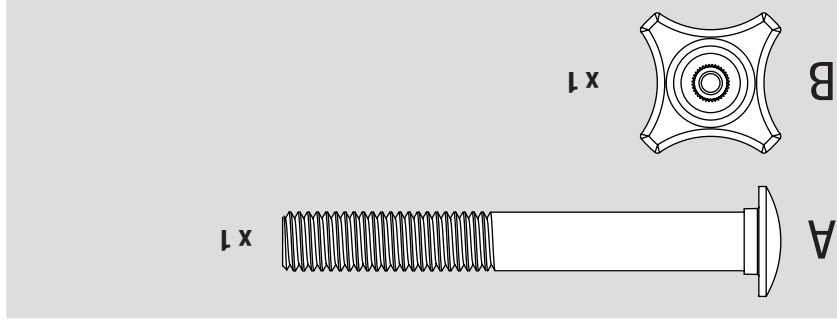
Directives d'assemblage

NE PAS RETOURNER AU MAGASIN AVEC CET ARTICLE.

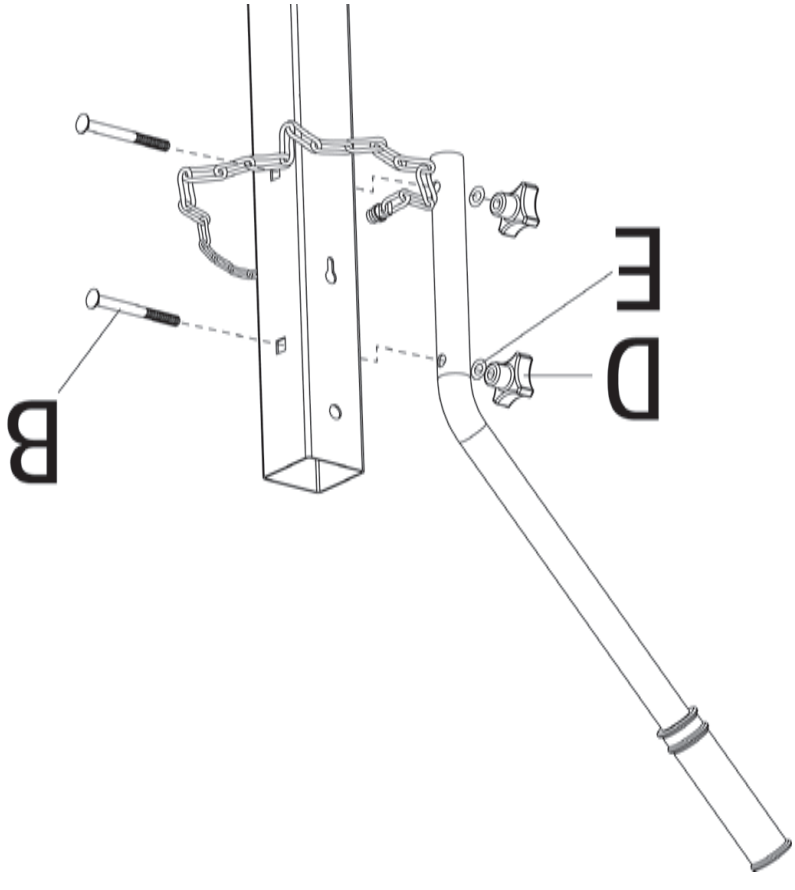
Pour toute assistance technique, appelez le numéro sans frais 1.800.762.1142. Faites en sorte que votre manuel d'utilisation et le numéro de série soient à portée de main afin de pouvoir vous y référer.



1 Fixez la montante



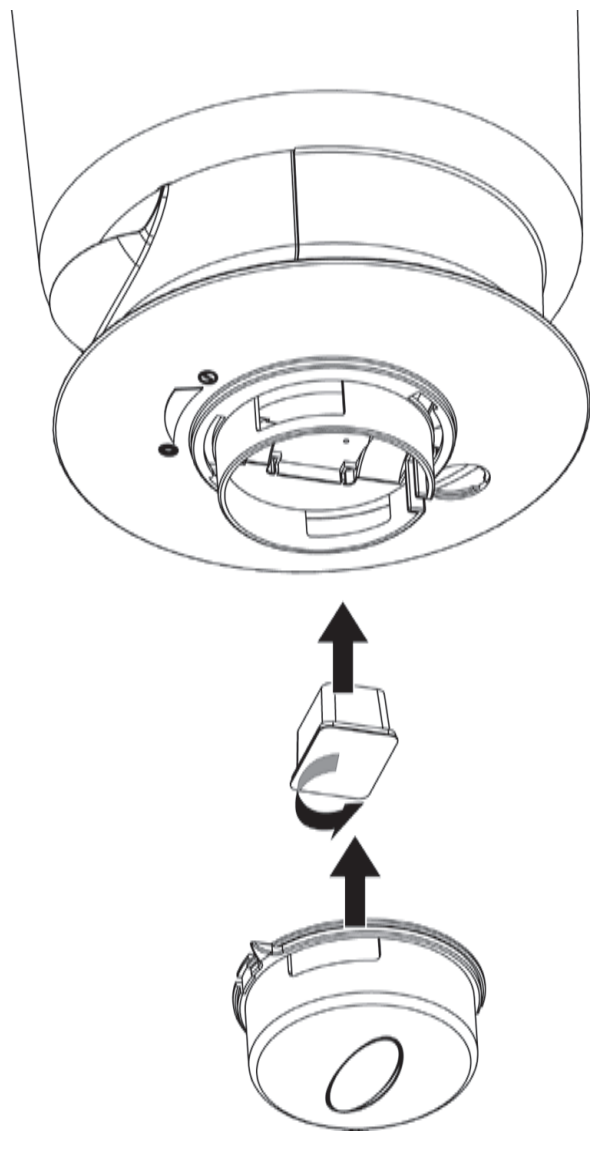
2 Fixez la poignée



3 Insérez le compartiment WaveDrawer™

Pour faciliter l'installation:
 • Pour éviter de perdre des petites pièces ou la quincaillerie d'installation, assemblez cet article sur une surface dure et plane qui ne comporte pas de trous ou de fissures.

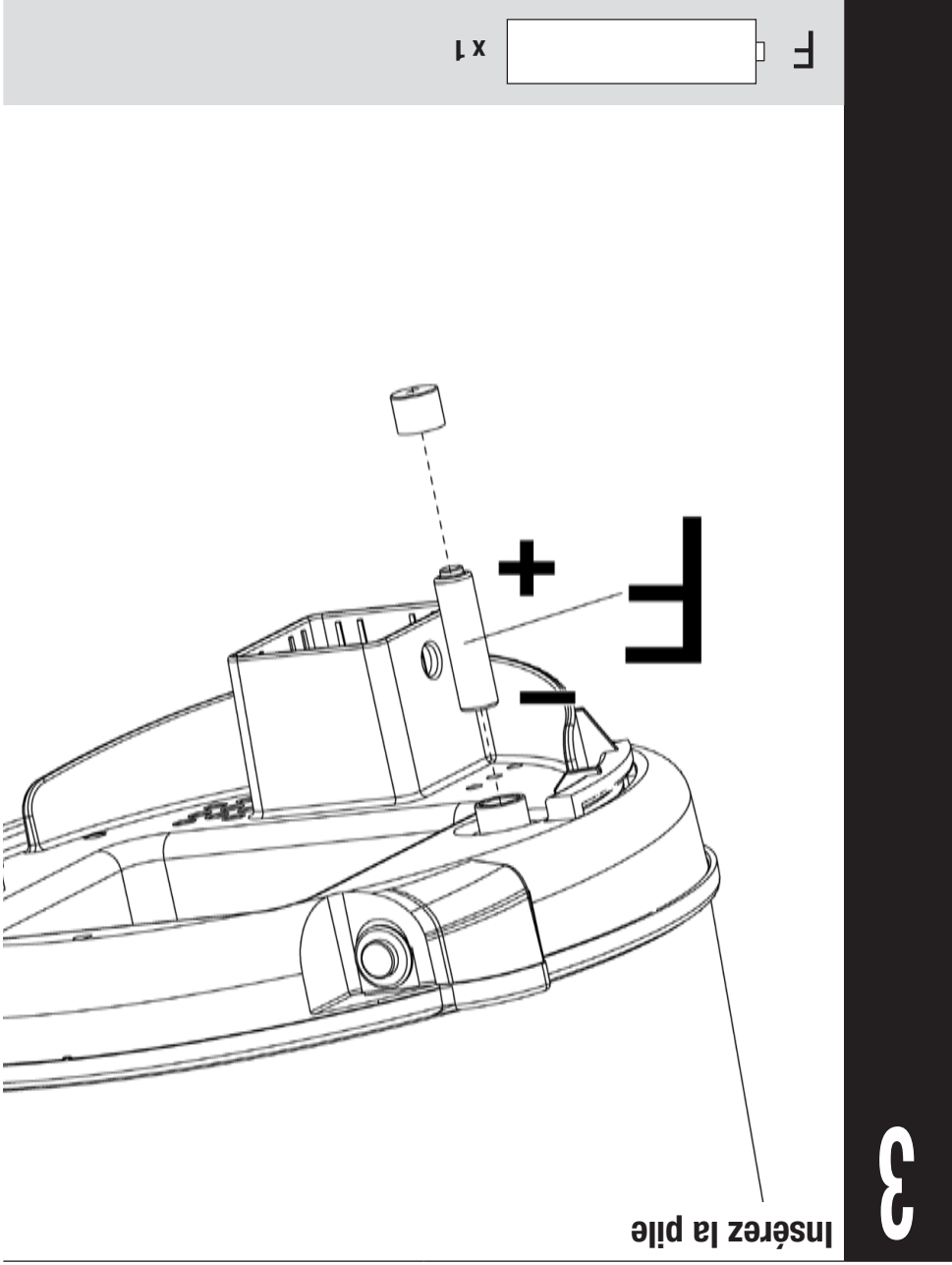
5 Insérez l'appât pour insectes FineTune® et fixez le couvercle de l'appât



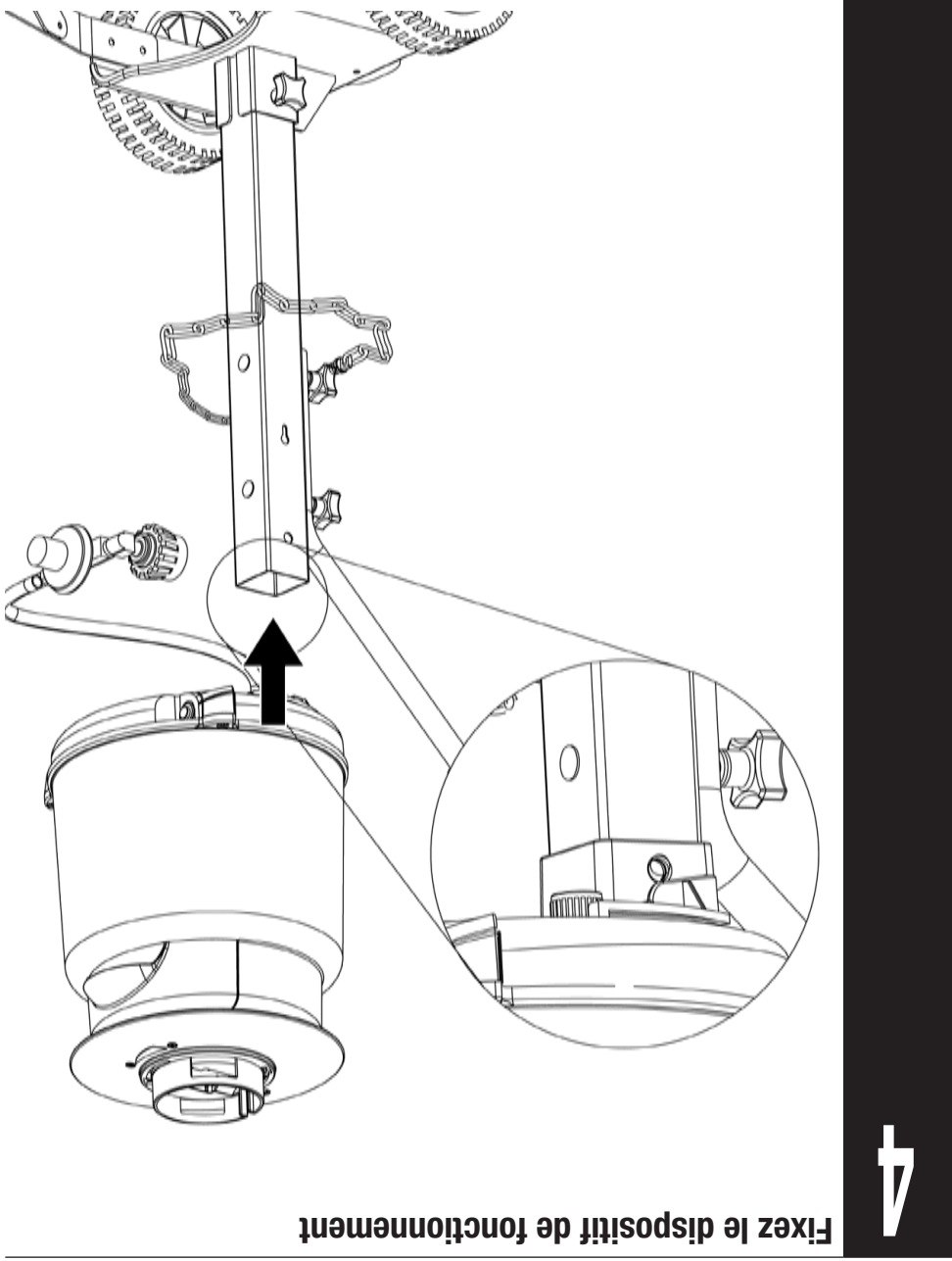
6

• Suivez toutes les étapes dans l'ordre afin d'assembler correctement cet article.

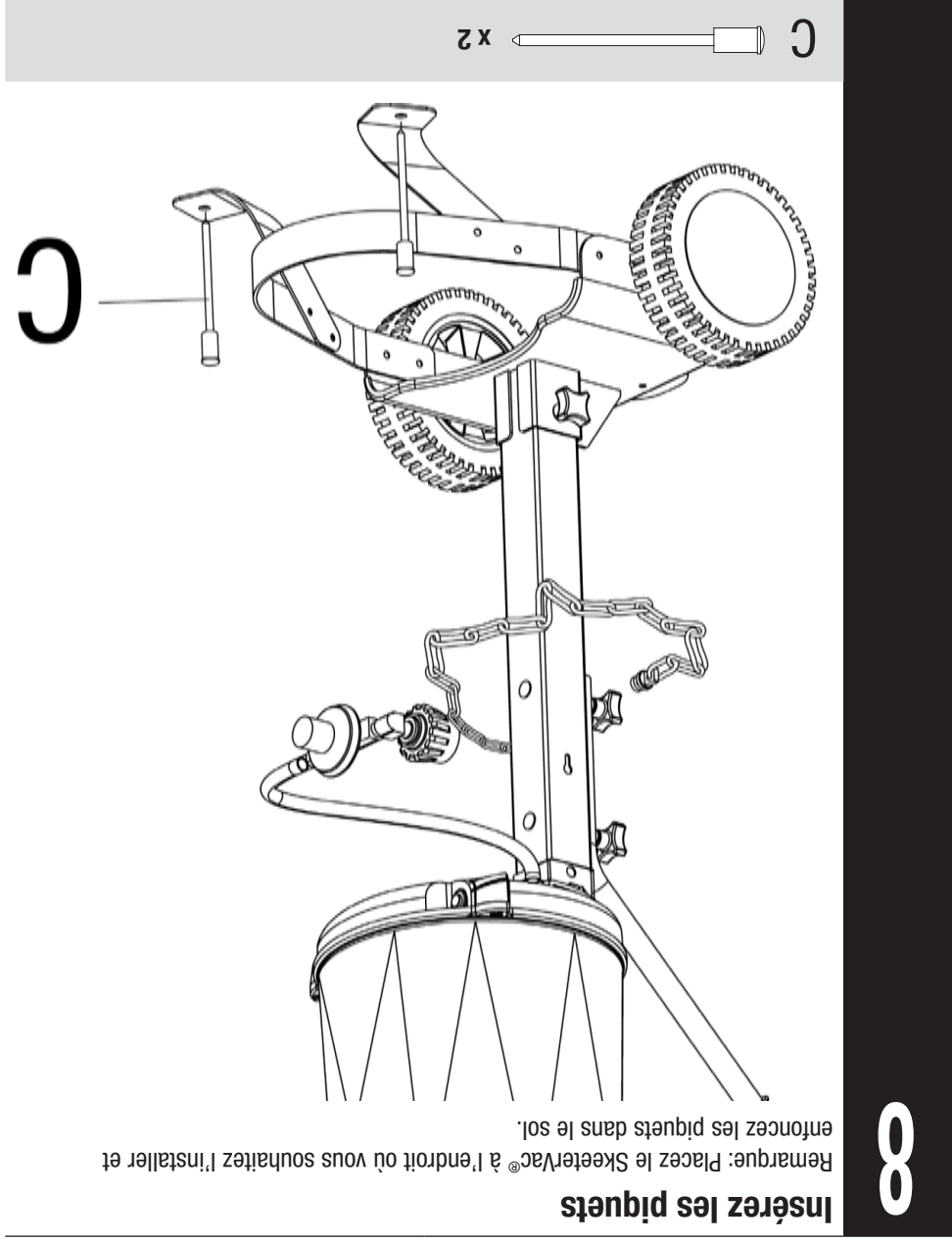
- Prévoyez une surface de travail suffisamment grande afin d'étaler toutes les pièces et la quincaillerie d'installation.
- Lorsque nécessaire, serrez toute les fixations et la visserie en premier, puis une fois l'étape terminée, serrez-les à bloc.



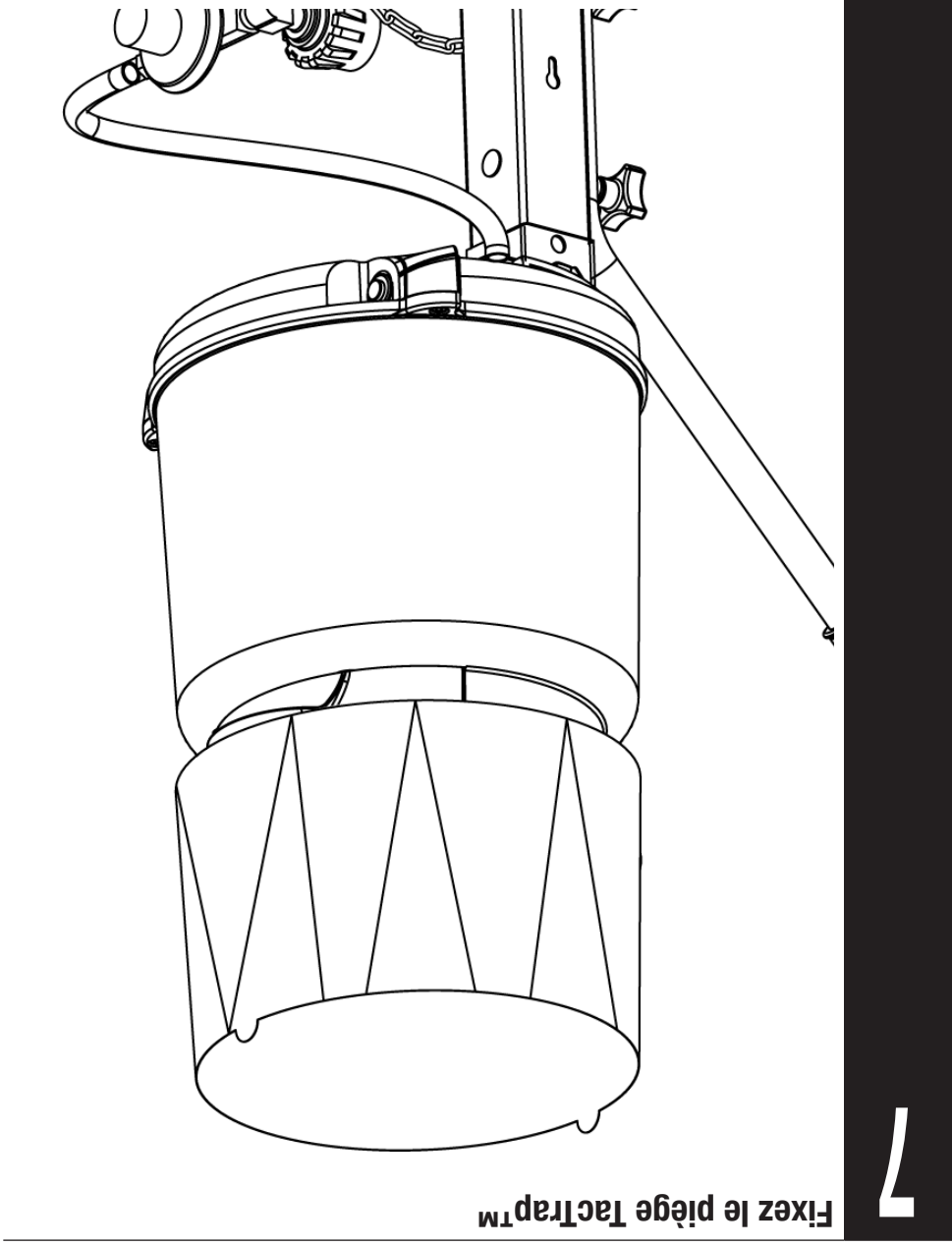
3 Insérez la pile



4 Fixez le dispositif de fonctionnement



8 Insérez les piquets
Remarque: Placez le SkeeterVac® à l'endroit où vous souhaitez l'installer et enfoncez les piquets dans le sol.



7 Fixez le piège TacTrap™

Installer la bouteille de propane

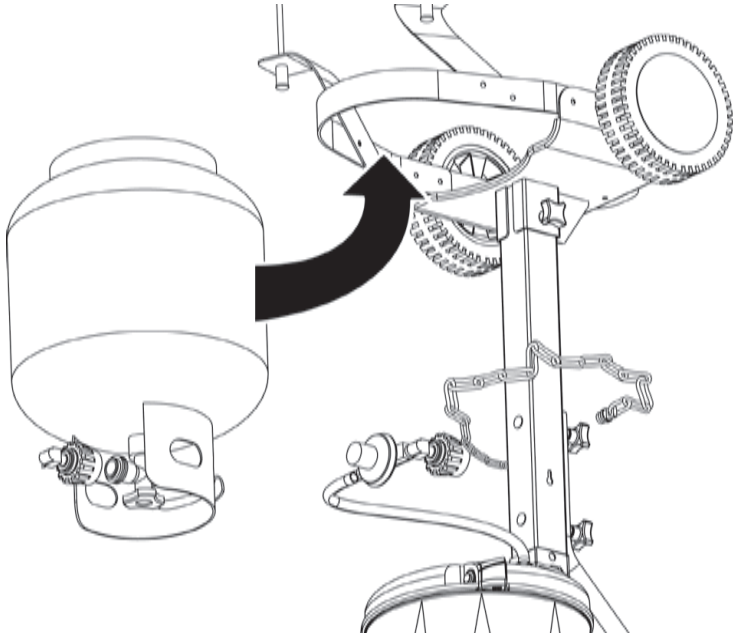
Il est nécessaire de raccorder une bouteille de propane standard de 20 livres (9 kg) pour barbecue avec filetage externe.

Remarque: Une bouteille de propane standard vide pour barbecue pèse environ 18 livres (8,1 kg). Une bouteille de propane standard pour barbecue remplie avec précision ne devrait pas peser plus de 38 livres (17,2 kg).



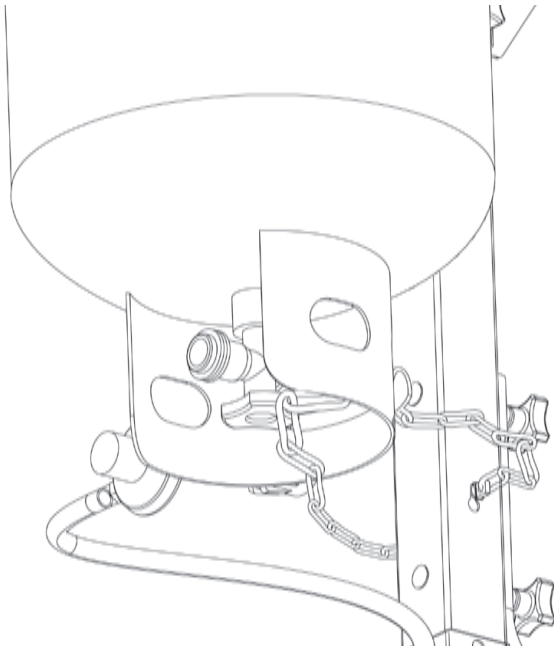
Insérer la bouteille de propane

Placez une bouteille de propane pleine remplie avec précision debout dans l'ouverture du SkeeterVac® pour que le circuit soit établi afin de permettre l'extraction des vapeurs de gaz.



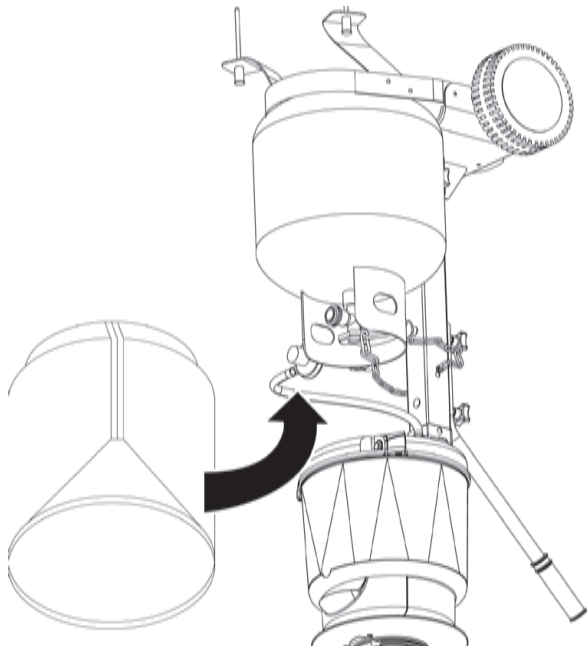
Fixer la bouteille de propane

Fixez la bouteille de propane en faisant passer la chaîne de retenue de la bouteille par-dessus le col de la bouteille.



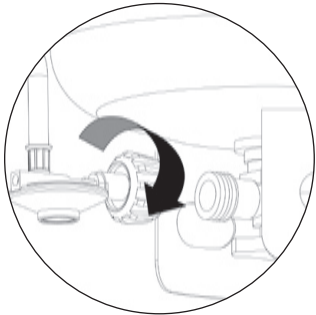
Placer le cache de protection de la bouteille de propane

Placez le cache de protection de la bouteille de propane sur la bouteille.



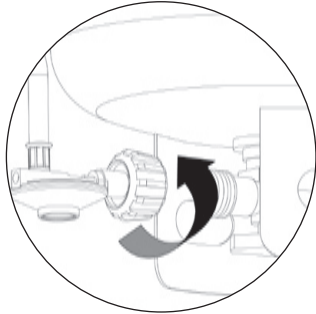
Brancher la bouteille de propane

Avant de procéder au branchement, assurez-vous qu'il n'y a pas de débris au niveau de la tête de la bouteille de propane, de la tête du robinet du régulateur ainsi que dans la tête du brûleur et dans les orifices du brûleur. Raccordez le tuyau de gaz à la bouteille en tournant le bouton dans le sens des aiguilles d'une montre jusqu'à ce qu'il s'arrête.



Débrancher la bouteille de propane

Avant de débrancher la bouteille, assurez-vous que le robinet de la bouteille de propane se trouve sur « OFF » (arrêt). Débranchez le tuyau de gaz de la bouteille en tournant le bouton dans le sens inverse à celui des aiguilles d'une montre jusqu'à ce qu'il soit desserré.



Informations importantes concernant les moustiques

Information importante

Votre SkeeterVac® fonctionne 24 heures par jour afin de réduire la nuisance des moustiques. Il attire les moustiques femelles à la recherche d'un repas de sang afin de nourrir leurs œufs. En exterminant la majorité des moustiques femelles vous éliminerez également leurs œufs.

- Il est possible que vous ne remarquiez une baisse notable de la nuisance des moustiques qu'après 3 à 4 semaines. Soyez patient.

- Commencez à utiliser votre SkeeterVac® une fois que la température extérieure la plus basse demeurera supérieure à 50°F (10°C).

- Pour réduire et contrôler les populations de moustiques, il est primordial que votre SkeeterVac® fonctionne en permanence. Ne fermez pas le robinet de gaz de la bouteille de propane avant que votre SkeeterVac® ne s'éteigne, puis remplacez immédiatement la bouteille de propane lorsqu'elle est vide par un bouteille pleine.

- Veillez à toujours contacter nos experts avant de ramener un appareil au point de vente où vous l'avez acheté.

Information importante concernant l'octénol

Votre SkeeterVac® est fourni avec un appât contenant de l'octénol (1-octen-3-ol). Ce pesticide est un attractif supplémentaire pour certaines espèces de moustiques.

CONSERVER HORS DE LA PORTÉE DES ENFANTS

▲ ATTENTION: Nocif ou mortel si avalé, absorbé par la peau ou respiré. Éviter tout contact avec la peau, les yeux et la bouche. Se laver les mains complètement avec de l'eau et du savon après tout contact.

Information importante concernant la lumière à rayons ultraviolets

Cet appareil génère des rayons ultraviolets (UV) lorsqu'il fonctionne.

▲ ATTENTION: Ne pas regarder directement l'appareil lorsqu'il est en train de fonctionner. Toute exposition, même brève, aux rayons UV risque de blesser et d'endommager les yeux.

Pour toute assistance professionnelle, composez sans frais le 1.800.762.1142.

Veillez à toujours contacter nos experts avant de ramener un appareil au point de vente.

Des données intéressantes sur les moustiques

- Il existe environ 3000 espèces de moustiques connues dans le monde. Il existe environ 150 espèces en Amérique du Nord.

- Il existe environ 25 espèces de moustiques "nuisants" pour les humains.

- La durée de vie de la plupart des moustiques est de 2 à 4 semaines.

- Ce sont uniquement les moustiques femelles qui piquent.

Informations importantes concernant les moustiques (suite)

- Les moustiques se reproduisent à une vitesse impressionnante. Attirez, piègez et tuez un seul moustique femelle en début de saison et vous empêcherez la naissance de plus de 25 000 moustiques!

Comment contrôler les moustiques

Après avoir correctement installé un appareil SkeeterVac®, vous pouvez également réduire la prolifération des moustiques autour de votre maison en réduisant toute présence d'eau stagnante sur votre propriété. En effet, les moustiques peuvent proliférer dans toute flaque d'eau si elle est présente pendant plus de 4 jours.

- Jetez les boîtes et canettes de boissons, les contenants en plastique, les pots de fleurs et autres récipients capables d'accumuler de l'eau sur votre propriété.
- À l'aide d'une perceuse, percez des trous dans le fond des récipients que vous comptez laisser à l'extérieur tels que les sacs poubelles, les bennes et conteneurs destinés aux matières recyclables, etc.
- Nettoyez les gouttières de toit qui sont bouchées au moins une fois par an.
- Placez à l'envers les bassins de jardin en plastique lorsque vous ne les utilisez pas.
- Retournez les bouteilles, les pots de fleurs vides ainsi que les jouets pour enfants lorsque vous ne les utilisez pas.
- Assurez-vous que l'eau des baignoires pour oiseaux ne demeure pas stagnante.
- Aérez les pièces d'eau décoratives ou placez-y des poissons.
- Nettoyez et mettez du chlore dans les piscines qui ne sont pas en train d'être utilisées. N'oubliez pas que les moustiques peuvent proliférer dans l'eau qui s'accumule sur les bâches protectrices des piscines.
- Faites en sorte que l'eau draine du terrain afin d'éliminer toute accumulation d'eau dans les zones basses de votre propriété.

Liens pratiques

Pour plus de renseignements concernant les moustiques aux États-Unis, consultez les sites internet suivants:

- The American Mosquito Control Association (Association de lutte contre les moustiques des États-Unis) <http://www.mosquito.org>
- US Environmental Protection Agency (Agence de protection de l'environnement des États-Unis) <http://www.epa.gov/pesticides/health/mosquitoes>
- National Center for Infectious Diseases (Centre national de lutte contre les maladies infectieuses)

Aucune des agences ci-dessus n'a approuvé l'emploi du SkeeterVac® et leur mention ici n'indique en aucun cas qu'elles le sanctionnent. Ces liens sont indiqués ici à titre d'information uniquement.

Fonctionnement

Rechercher une fuite potentielle

Raccordement du tuyau de gaz à la bouteille

Préparez une solution d'environ 80 ml destinée à détecter les fuites en mélangeant un volume de liquide à vaisselle et trois volumes d'eau. Ouvrez le robinet de gaz (ON) de la bouteille de propane.

À l'aide d'une cuillère, versez quelques gouttes de la solution sur tous les points de raccordement indiqués par un "X".

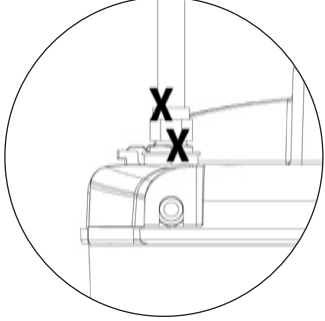
Si des bulles apparaissent, fermez la bouteille de propane (OFF), desserrez le raccord puis rebranchez en vous assurant qu'il est étanche en effectuant un autre essai d'étanchéité. Si des bulles persistent après plusieurs tentatives, débranchez la bouteille de propane et appelez le 1.800.762.1142. S'il n'y a toujours pas de bulles après une minute, fermez la bouteille (OFF), essuyez la solution et continuez.

Emplacement

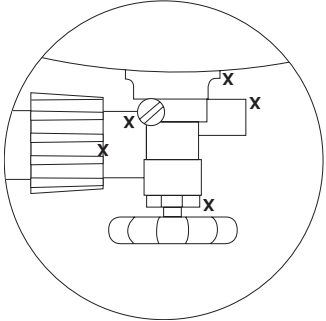
Il est indispensable de placer au mieux le SkeeterVac® afin de maximiser son rendement et sa performance. Étant donné que le SkeeterVac® attire les moustiques, placez-le au minimum à 3 mètres de votre surface habitable.

Les moustiques sont typiquement présents dans les zones sombres, mouillées et humides. Déterminez quel est leur habitat principal et placez le SkeeterVac® le plus près possible.

Si vous habitez dans un endroit où il y a une brise constante, placez le SkeeterVac® en amont de l'habitat principal des moustiques.



Branchement du tuyau et du régulateur



Robinet de gaz de la bouteille de propane

Fonctionnement (suite)

ATTENTION: cet appareil risque de se renverser. Utiliser des piquets pour le fixer.

Après avoir déterminé l'emplacement du SkeeterVac®, fixez-le au sol en plantant un piquet dans chacun des deux (2) pieds à l'avant.

Pour une performance optimale, il est probable que vous devrez déplacer le SkeeterVac® de temps à autre. Pour déplacer l'appareil, retirez les piquets, placez votre pied sur le socle du chariot et penchez-le en arrière en tenant la poignée. Tirez l'appareil jusqu'à son nouvel emplacement.

Plantez à nouveau les piquets.

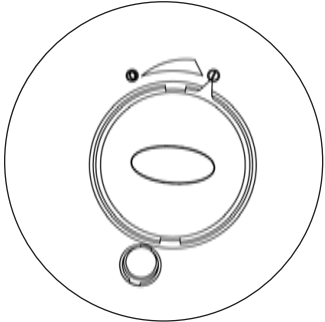
FineTune®: Déterminer la puissance attractive de l'appât

La quantité d'octénoï libérée par votre appareil SkeeterVac® est importante car elle sert à maximiser la performance de l'appareil. Certains moustiques sont très attirés par l'octénoï alors que d'autres le sont moins.

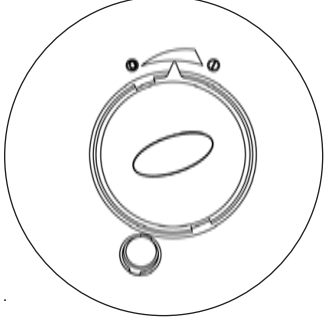
Ce produit possède une caractéristique exclusive facile à utiliser vous permettant de régler la dose d'octénoï que libère l'appareil selon l'espèce de moustique que vous comptez piéger.

Remarque: l'appât dure environ 60 jours.

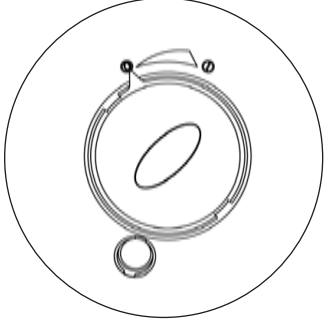
1. Retirez le couvercle de l'appât FineTune® en tournant dans le sens inverse à celui des aiguilles d'une montre.
2. Retirez le papier aluminium de l'appât pour insectes FineTune®.
3. Remplacez l'appât FineTune® dans le porte-appât avec les trous vers le haut.
4. Remettez en place le couvercle de l'appât FineTune®.
5. Choisissez la puissance de l'appât en réglant la position du couvercle de l'appât FineTune®.



Puissance de l'appât : complètement ouvert



Puissance de l'appât : à moitié ouvert



Puissance de l'appât : fermé

Allumer l'appareil

1. Lisez les instructions avant de procéder à l'allumage.

2. Ouvrez le robinet de gaz (ON) de la bouteille de propane. Pressez et maintenez le bouton de la soupape de commande.

4. Pressez et maintenez IMMÉDIATEMENT le bouton de l'allumeur jusqu'à vous entendre un claquement indiquant que l'allumage viens de s'effectuer. Cela prend environ 20 secondes.

5. Continuez à maintenir le bouton de la soupape de commande pendant 30 secondes.

6. L'aiguille du dispositif de fonctionnement devrait commencer à se déplacer vers la zone « verte », les voyants lumineux DEL devraient clignoter et le ventilateur d'aspiration devrait fonctionner avec un débit d'air sortant du dessous du dispositif de fonctionnement, ceci qui indique que l'allumage a bien été effectué.

Eteindre l'appareil

Fermez le robinet de gaz (OFF) de la bouteille de propane en le tournant dans le sens des aiguilles d'une montre jusqu'à ce qu'il s'arrête.

ATTENTION: Fermer le robinet de gaz de la bouteille de propane si cet appareil de plein air n'est pas utilisé.

Nettoyage et entretien

ATTENTION: Tout nettoyage et entretien doit être effectué lorsque le SkeeterVac® est froid au toucher et après avoir débranché la bouteille de propane.

ATTENTION: NE JAMAIS placer une pièce quelconque du SkeeterVac® dans un four autonome.

ATTENTION: Nettoyer et inspecter complètement ce SkeeterVac® à intervalles réguliers.

ATTENTION: Ne pas utiliser de produits de nettoyage abrasifs car ils risquent d'endommager cet appareil.

Avant chaque utilisation:

1. Assurez-vous que la zone autour du SkeeterVac® demeure dégagée et dépourvue de matières combustibles, d'essence et d'autres liquides et vapeurs inflammables.

Nettoyage et entretien (suite)

2. Ne pas bloquer ni empêcher le débit d'air de combustion du propane ni de ventilation.
3. Assurez-vous que les ouvertures de ventilations ne comportent aucun débris.
4. Reportez-vous aux « instructions de nettoyage » pour la procédure de nettoyage recommandée.

Instructions de nettoyage / Entretien de routine

Pour une performance optimale et afin d'assurer la pérennité de votre appareil SkeeterVac®,

suivez les étapes suivantes à chaque fois que votre

bouteille de gaz est vide. Ce modèle consommera une

bouteille de propane standard 20 lbs

(9 kg) tous les 15 à 18 jours.

Remarque: Lorsque vous utilisez l'appareil, vérifiez les

points suivants tous les 2 à 3 jours :

- Vérifiez le compartiment WaveDrawer™ et nettoyez-le (si nécessaire).
- Assurez-vous que rien ne bloque ni ne gêne le débit d'air au niveau des orifices laissant passer l'air.

1. Tournez le robinet de gaz de la bouteille de propane afin

de le régler sur « Off » (arrêt).

2. Débranchez le tuyau et le régulateur de la bouteille en tournant le bouton dans le sens

inverse à celui des aiguilles d'une montre.

3. Retirez la bouteille vide, remplacez-la par une bouteille de propane pleine.

4. Retirez le compartiment WaveDrawer™, videz-le et nettoyez-le.

5. Remettez en place le compartiment WaveDrawer™ en le glissant.

6. Retirez le piège TacTrap™ et jetez-le comme il se doit.

7. Placez un nouveau piège TacTrap™ et retirez le papier protecteur.

8. Retirez le couvercle de l'appât FineTune® en le tournant dans le sens inverse à celui des

aiguilles d'une montre.

9. Retirez l'appât FineTune® usé (si nécessaire) et jetez-le comme il se doit.

Remarque: l'appât FineTune® dure environ 60 jours.

10. Retirez l'appât FineTune® neuf de l'emballage (si nécessaire). Jetez l'emballage comme il

se doit.

11. Placez le nouvel appât FineTune® dans le porte-appât avec les trous vers le haut.

12. Remettez en place le couvercle de l'appât FineTune®.

13. Choisissez la puissance de l'appât en réglant la position du couvercle de l'appât FineTune®.

14. Vérifiez les conduites de gaz et du dispositif de fonctionnement afin de vous assurer

qu'elles ne sont pas endommagées et qu'aucune pièce ne s'avère manquante. Réparez et

corrigez tout problème avant de tenter de mettre en marche l'appareil.

15. Rebranchez le tuyau de gaz à la bouteille de propane en la tournant dans le sens des

aiguilles d'une montre.

16. Retirez le cache de protection de la bouteille de propane vide et placez-le sur la bouteille

de propane pleine.

17. Effectuez le test d'étanchéité.

18. Commencez à suivre les instructions intitulées « Allumer l'appareil ».

19. Lavez-vous les mains à l'eau et au savon.

Remplacer la pile de l'allumeur

Si vous n'entendez pas un déclic lorsque vous pressez

le bouton d'allumage, la pile est sans doute déchargée.

Remplacez la pile comme suit:

1. Tournez le robinet de gaz de la bouteille de propane afin

de le régler sur « Off » (arrêt).

2. Ouvrez le compartiment à pile en tournant le capuchon

de la partie inférieure du dispositif de fonctionnement

dans le sens inverse à celui des aiguilles d'une montre.

3. Retirez la pile usée et jetez-la comme il se doit.

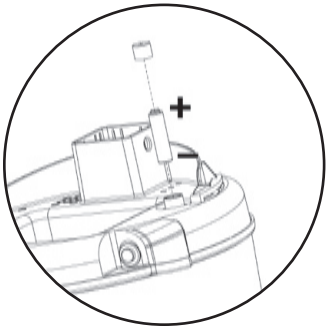
4. Insérez une nouvelle pile AA dans le compartiment en

introduisant le pôle négatif (-) en premier.

5. Fixez le capuchon en tournant dans le sens des aiguilles d'une montre jusqu'à ce qu'il se

bloque.

6. Commencez à suivre les instructions intitulées « Allumer l'appareil ».



Comment insérer la pile

Remisage de fin de saison

Pour que votre appareil SkeeterVac® vous offre des années de service fiable, suivez ces

simples consignes à la fin de la saison:

1. Fermez le robinet de gaz de la bouteille de propane en le réglant sur « Off » (arrêt).

2. Débranchez le tuyau et le régulateur de la bouteille en tournant le bouton dans le sens

inverse à celui des aiguilles d'une montre.

3. Retirez le cache de protection de la bouteille.

4. Retirez la bouteille de propane et remisez-la à l'extérieur, hors de la portée des enfants. Elle

ne doit pas être remisee dans un immeuble, un garage ou tout autre abri clos et fermé.

5. Retirez et jetez le piège TacTrap™ et l'appât FineTune® comme il se doit.

6. Recouvrez votre appareil SkeeterVac® afin de le protéger contre la poussière et rangez-le

dans un endroit frais et sec.

▲ **Attention: Il est uniquement permis de remiser un appareil à gaz de plein air à l'intérieur si la bouteille de gaz a été débranchée et retirée de l'appareil.**

Enregistrement de l'appareil

Pour bénéficier plus rapidement du service offert par la garantie, veuillez enregistrer votre

appareil immédiatement sur le site internet www.bluerhino.com ou appelez le 1.800.762.1142.

Garantie limitée

La société Blue Rhino Global Sourcing, LLC ("le fabricant") garantit cet article au premier

acheteur au détail et à aucune autre personne, contre tout vice de matériau et de fabrication

pendant un (1) an à partir de la date d'achat si cet article est monté et utilisé conformément

aux instructions fournies. Le fabricant vous demandera sans doute une preuve raisonnable

d'achat datée, veuillez donc conserver votre facture ou votre reçu. Cette garantie limitée se

limitera à la réparation ou au remplacement de pièces ayant été déterminées défectueuses

par le fabricant lors de conditions d'utilisation et d'entretien normales. Avant de renvoyer une

pièce, contactez le service à la clientèle du fabricant (Customer Service Department). Si le

fabricant confirme le défaut de fabrication et approuve la réclamation, ce dernier remplacera

gratuitement les dites pièces. Si vous devez renvoyer des pièces défectueuses, les pièces

devront être expédiées port-payé. Le fabricant s'engage à renvoyer les pièces à l'acheteur

Cette garantie limitée ne couvre pas les pannes et dysfonctionnements survenant suite à tout

accident, mauvais usage, entretien incorrect de cet article, ou toute modification, mauvaise

installation ou négligence comme il a été établi dans ce manuel. De plus, cette garantie

limitée ne couvre pas les dommages au fini, à savoir les rayures, les bosses, les traces de

décoloration, de rouille ou les dommages résultant des intempéries après achat de l'article.

Cette garantie remplace toute autre garantie expresse et il n'existe aucune autre garantie

expresse à l'exception de la couverture indiquée ici. Le fabricant désavoue toute garantie

couvrant des produits ayant été achetées auprès de revendeurs autres que les revendeurs et

distributeurs agréés y compris toute garantie de commercialisabilité et d'adaptation à un usage

particulier. LE FABRICANT DÉCLINE ÉGALEMENT TOUTE GARANTIE IMPLICITE Y COMPRIS

TOUTE GARANTIE DE COMMERCIALISABILITÉ ET D'ADAPTATION À UN USAGE PARTICULIER. LE

FABRICANT NE POURRA ÊTRE TENU RESPONSABLE PAR L'ACHETEUR OU UN TIERS POUR TOUTS

DÉGÂTS ET DOMMAGES PARTICULIERS, INDIRECTS, PUNITIFS OU CONSÉCUTIFS. De plus, le

fabricant désavoue toute garantie expresse ou implicite et décline toute responsabilité en cas

de défaut de fabrication causés par un tiers.

Cette garantie limitée octroie des droits spécifiques à l'acheteur reconnus par la loi et il

est possible que ce dernier en possède d'autres selon sa localité. Certaines juridictions ne

permettent pas l'exclusion ni la limitation de dommages consécutifs ou accessoires ni la

limitation en temps d'une garantie et ces limitations peuvent ne pas être applicables à tous.

Le fabricant ne permet en aucun cas à une personne ou à une société de s'attribuer les

responsabilités et les obligations liées à la vente, l'installation, l'utilisation, la dépose ou le

remplacement de cet article, et aucune de ces représentations n'engage la responsabilité du

fabricant.

Blue Rhino Sourcing, LLC

Winston-Salem, North Carolina 27104, États-Unis

(800)-762-1142

Guide de dépannage

Problème	Cause possible	Prévention/Mesure corrective
Le dispositif de fonctionnement ne s'allume pas.	L'allumeur ne fonctionne pas.	Vérifiez la batterie, remplacez-la si nécessaire.
	Il n'y a pas de propane.	Vérifiez la bouteille de propane, remplacez-la si nécessaire.

Si ces problèmes ne peuvent pas être résolus en suivant ces méthodes, veuillez appeler notre service technique au 1.800.762.1142.

Maintenez pressé le bouton de commande pendant 30 secondes. S'il ne s'allume toujours pas, appelez le service à la clientèle.